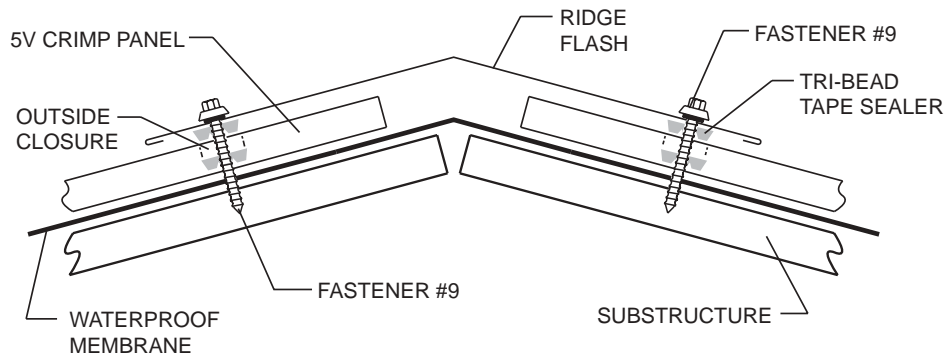


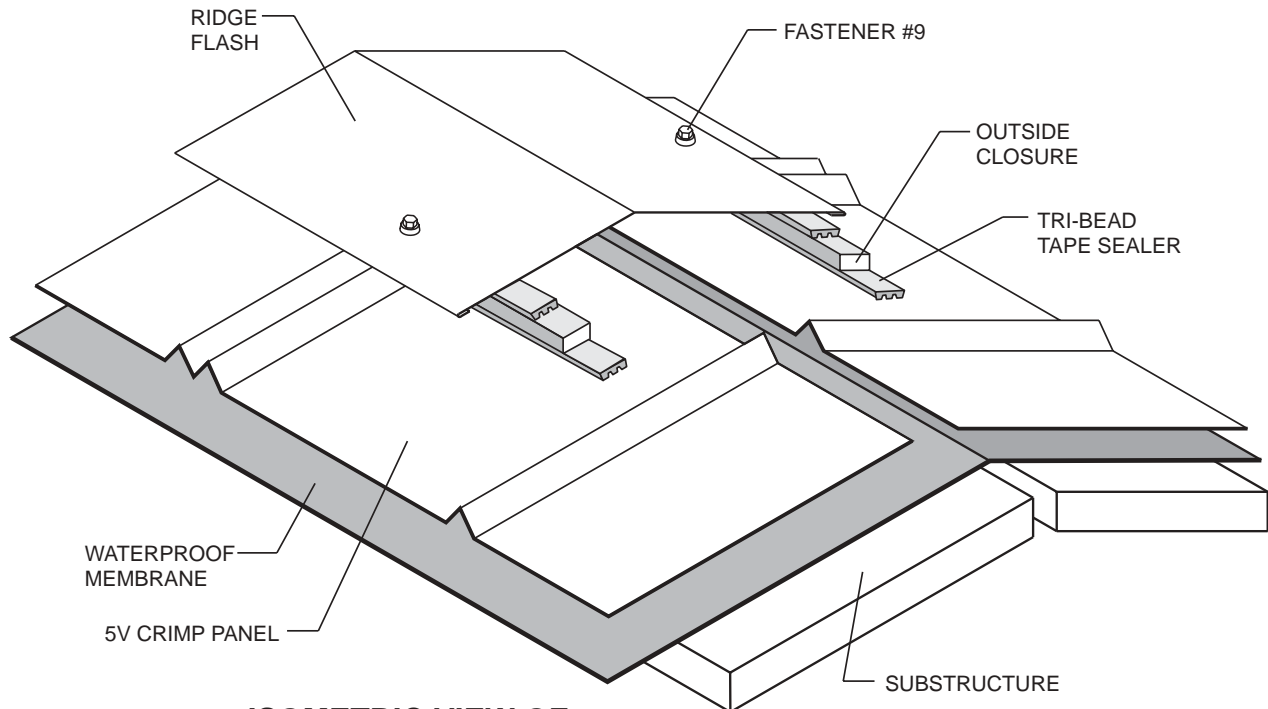
5V CRIMP

PRODUCT INFORMATION

TYPICAL DETAILS RIDGE



CROSS SECTION OF RIDGE OVER WOOD DECK



ISOMETRIC VIEW OF RIDGE OVER WOOD DECK

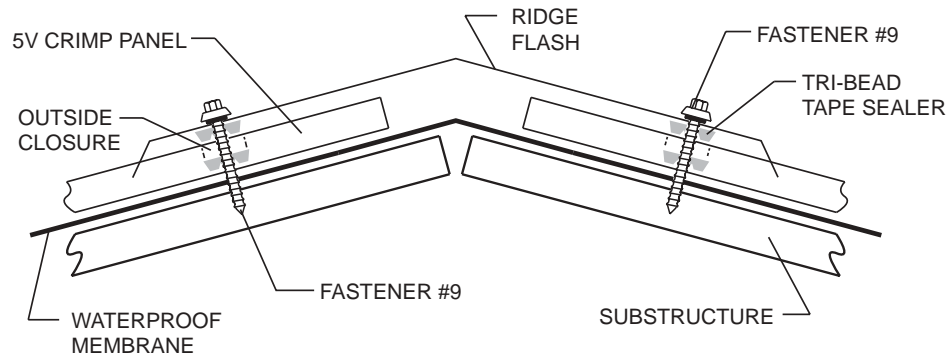
NOTES:

1. Stop panels 2" from center line of ridge.
2. Install first row of fasteners across panel to substrate 1'-0" down from bottom edge of ridge trim and space 1'-0" O.C.
3. Install Tri-Bead tape sealer across width of panels. Top edge of tape sealer is 1¾" from top edge of panel. Install outside closures on top of Tri-Bead tape sealer. Install additional run of tape sealer on top of outside closure.
3. Attach ridge flash with Fastener #9 (10 x 1½" Long Life Woodgrip) 1'-0" O.C. Install fasteners at each "V" in the panel to avoid dimpling the ridge flash.

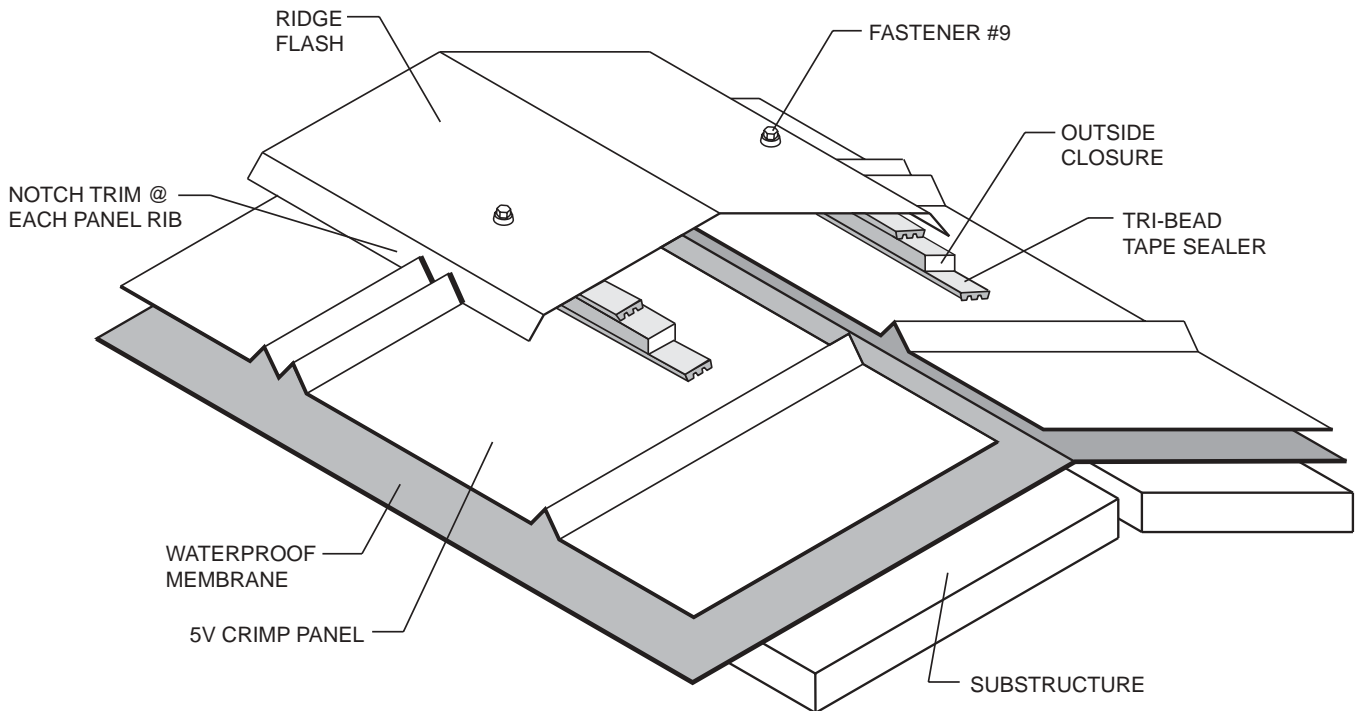
PRODUCT INFORMATION

5V CRIMP

TYPICAL DETAILS ALTERNATE RIDGE/HIP



CROSS SECTION OF RIDGE OVER WOOD DECK



ISOMETRIC VIEW OF RIDGE OVER WOOD DECK

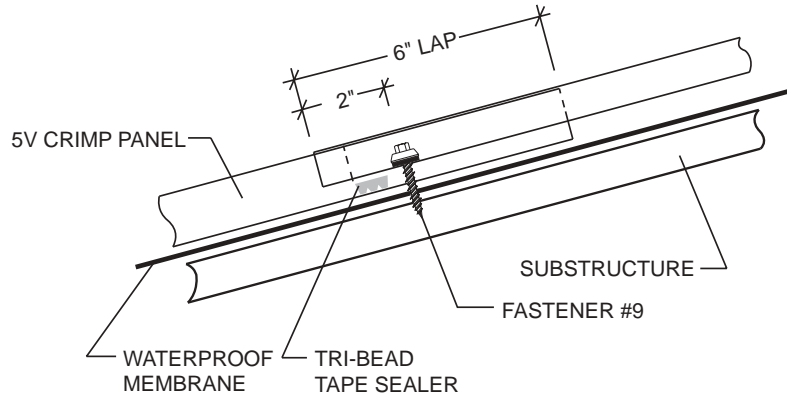
NOTES:

1. Stop panels 2" from center line of ridge.
2. Install first row of fasteners across panel to substrate 1'-0" down from bottom edge of ridge trim and space 1'-0" O.C.
3. Install Tri-Bead tape sealer across width of panels. Top edge of tape sealer is 1 $\frac{3}{4}$ " from top edge of panel. Install outside closures on top of Tri-Bead tape sealer. Install additional run of tape sealer on top of outside closure.
3. Attach ridge flash with Fastener #9 (10 x 1 $\frac{1}{2}$ " Long Life Woodgrip) 1'-0" O.C. Install fasteners at each "V" in the panel to avoid dimpling the ridge flash.

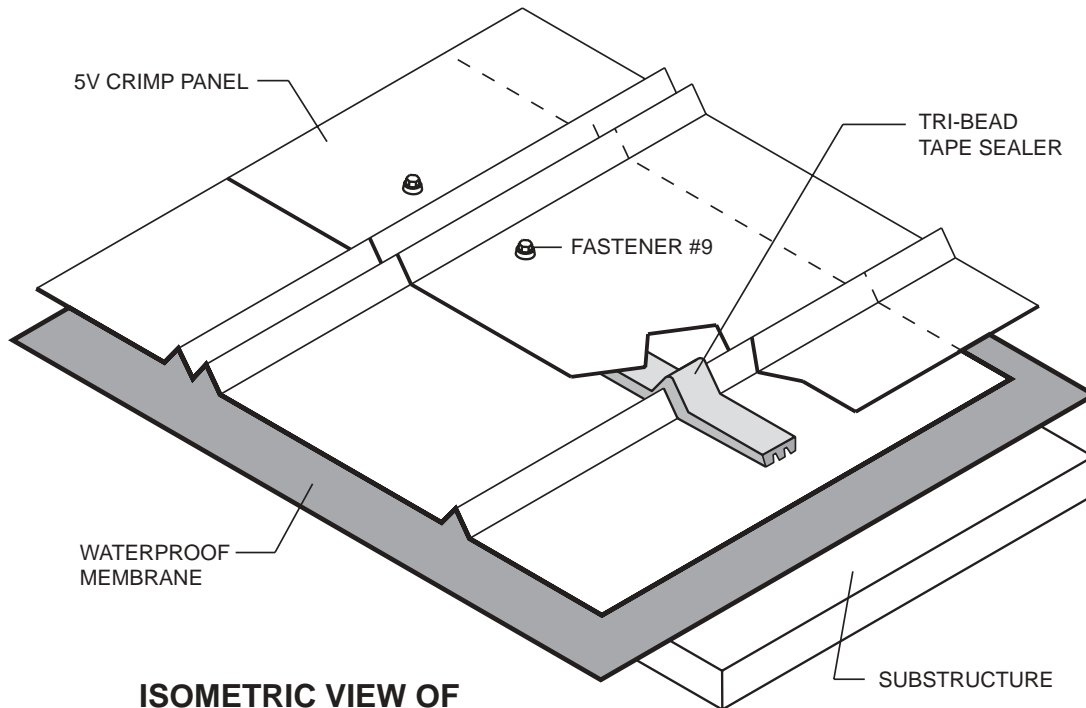
5V CRIMP

PRODUCT INFORMATION

TYPICAL DETAILS ENDLAP



CROSS SECTION OF ENDLAP OVER WOOD DECK



ISOMETRIC VIEW OF ENDLAP OVER WOOD DECK

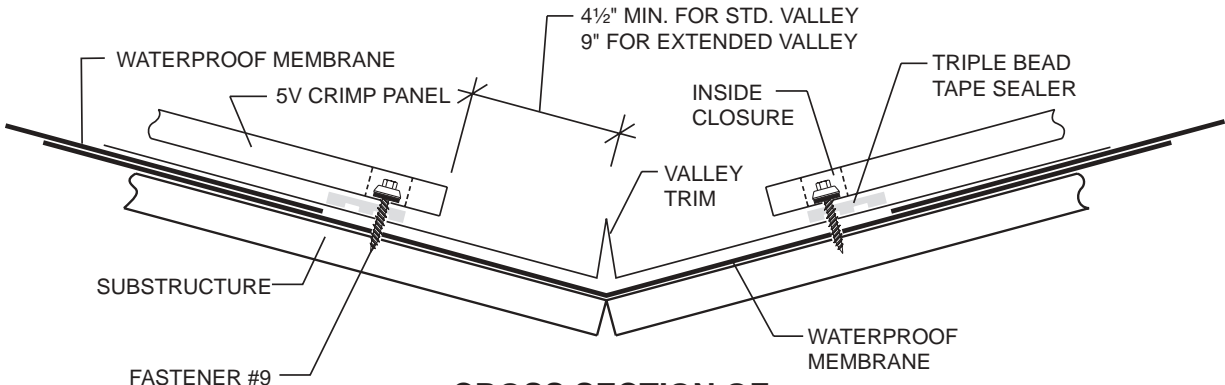
NOTES:

1. Panel endlap is 6".
2. Install tri bead tape sealer across width of bottom panel before installation of top panel. Top edge of tape sealer is 4³/₄" from upslope end of bottom panel.
3. Fastener pattern at endlap is shown.

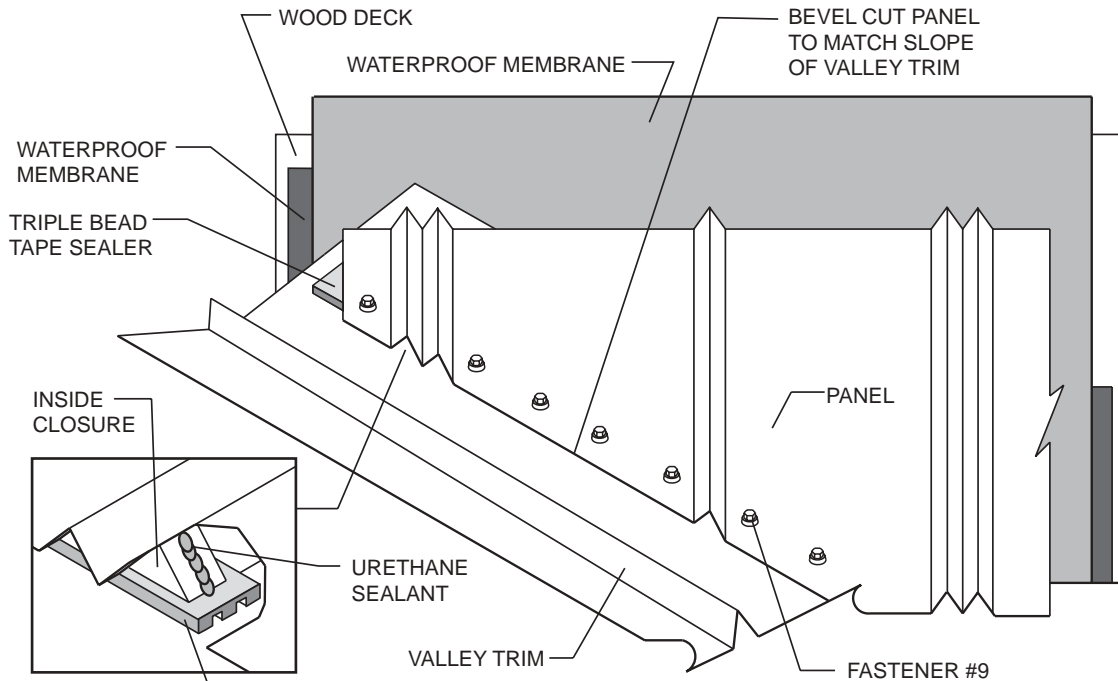
PRODUCT INFORMATION

5V CRIMP

TYPICAL DETAILS VALLEY



CROSS SECTION OF VALLEY OVER WOOD DECK



PANEL END DETAIL

ISOMETRIC VIEW OF VALLEY OVER WOOD DECK

NOTES:

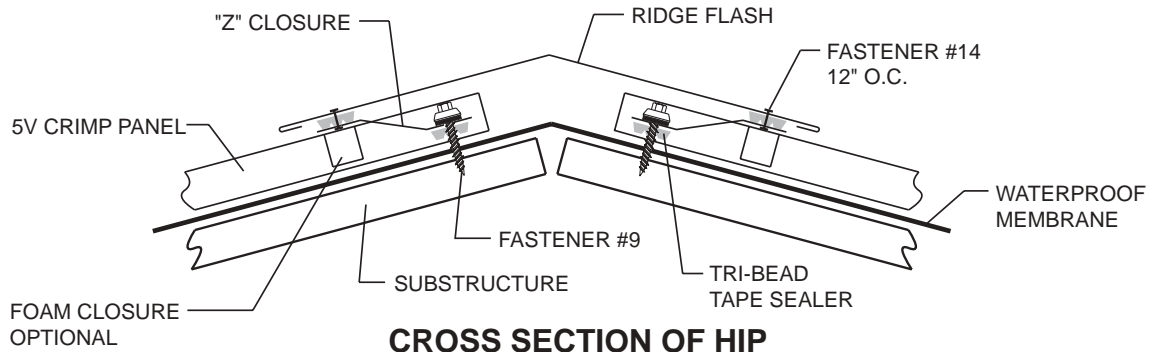
1. For valleys 30' or less in length, use standard valley trim. Valleys longer than 30' require extended valley trim.
2. Use waterproof membrane as a waterproof membrane in the valley area.
3. Apply Triple bead tape sealer to valley trim parallel to slope. Bottom edge of tape sealer is 1" from end of panel.
4. Bevel cut panel to match slope of valley trim.
5. Cut "V" from inside closure. Install "V" under panel and on top of Triple bead tape sealer. Install a bed of urethane sealant to top of "V".
6. Fasten panel at valley with Fastener #9 (10 x 1½" Long Life Woodgrip) 4" O.C. maximum.

5V CRIMP

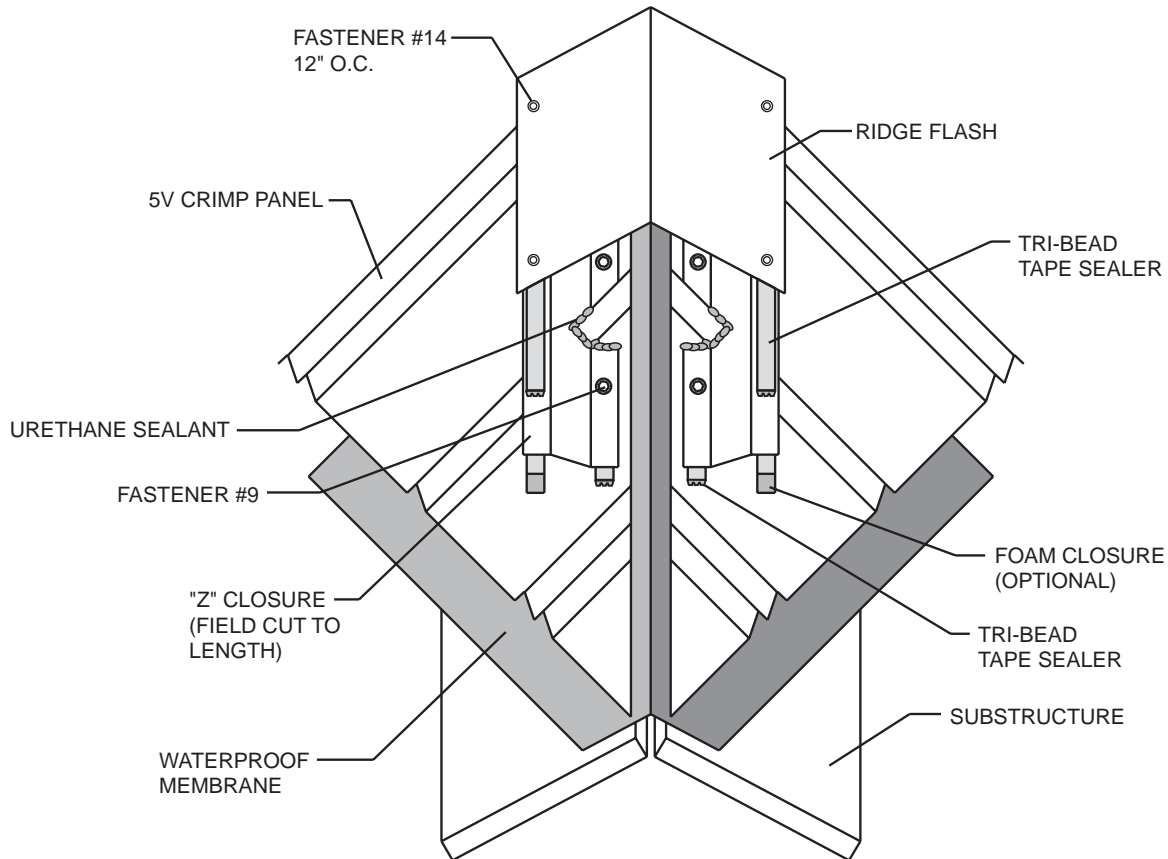
PRODUCT INFORMATION

TYPICAL DETAILS

HIP



CROSS SECTION OF HIP



ISOMETRIC VIEW OF HIP

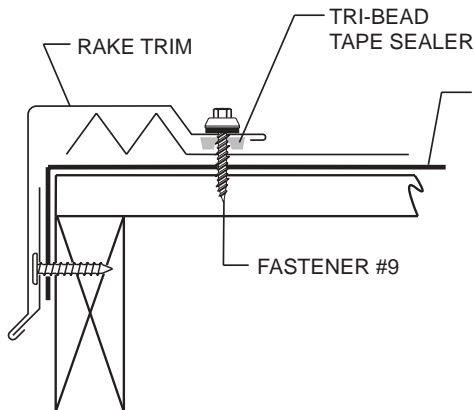
NOTES:

1. Bevel cut panels to match slope of hip and install.
2. Install Tri-Bead tape sealer across panels parallel to slope of hip. Top edge of tape sealer is 1½" from center of hip.
3. Notch bottom flange and web of "Z" closure at each "V" of the panel. Install "Z" closure with Fastener #9 (10 x 1½" Long Life Woodgrip) 1'-0" O.C. Set bottom flange of "Z" closure on top of tape sealer.
4. Install Tri-Bead tape sealer to top flange of "Z" closure and attach hip flash with Fastener #14 (½ x ¾" Pop Rivet) 1'-0" O.C. **Do Not attach to Panel Rib.**

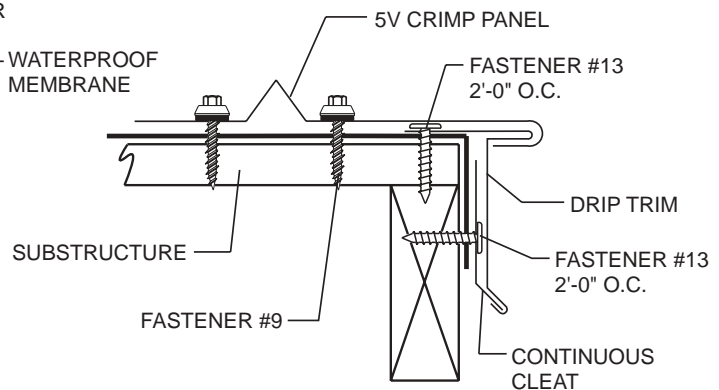
PRODUCT INFORMATION

5V CRIMP

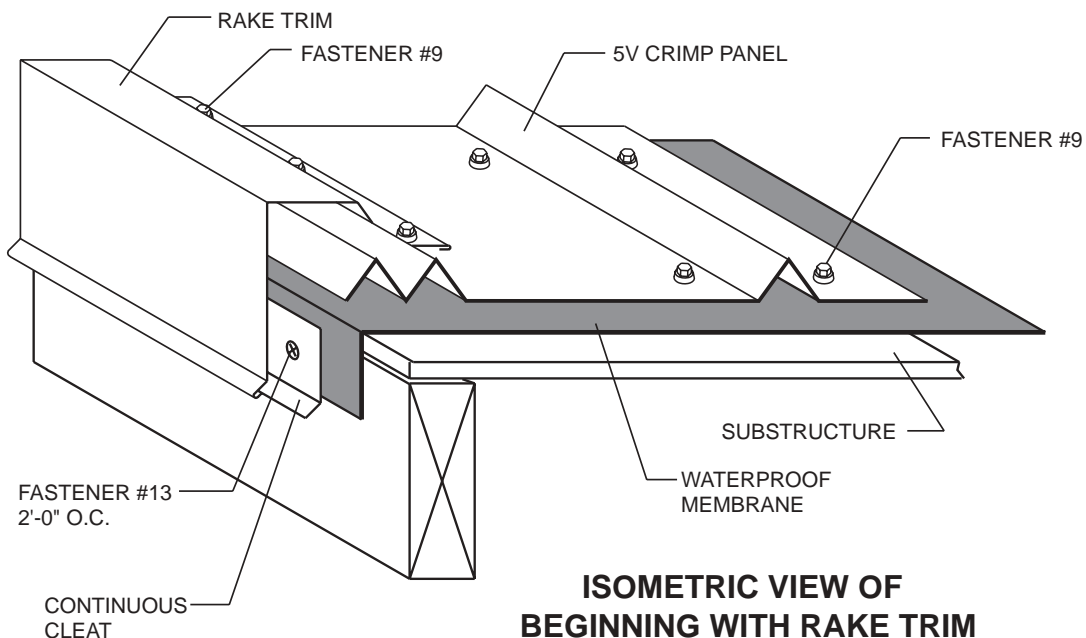
TYPICAL DETAILS RAKE



**BEGINNING/FINISHING
RAKE TRIM**



**ALTERNATE
BEGINNING/FINISHING
DRIP TRIM**



**ISOMETRIC VIEW OF
BEGINNING WITH RAKE TRIM**

NOTES:

Rake Trim

1. Install rake trim to roof panels with Fastener #9 (10 x 1½" Long Life Woodgrip) 1'-0" O.C. Fasteners must go through Tri-Bead tape sealer.
2. When finishing off module, field bend a ½" leg up on panel before installing rake trim.

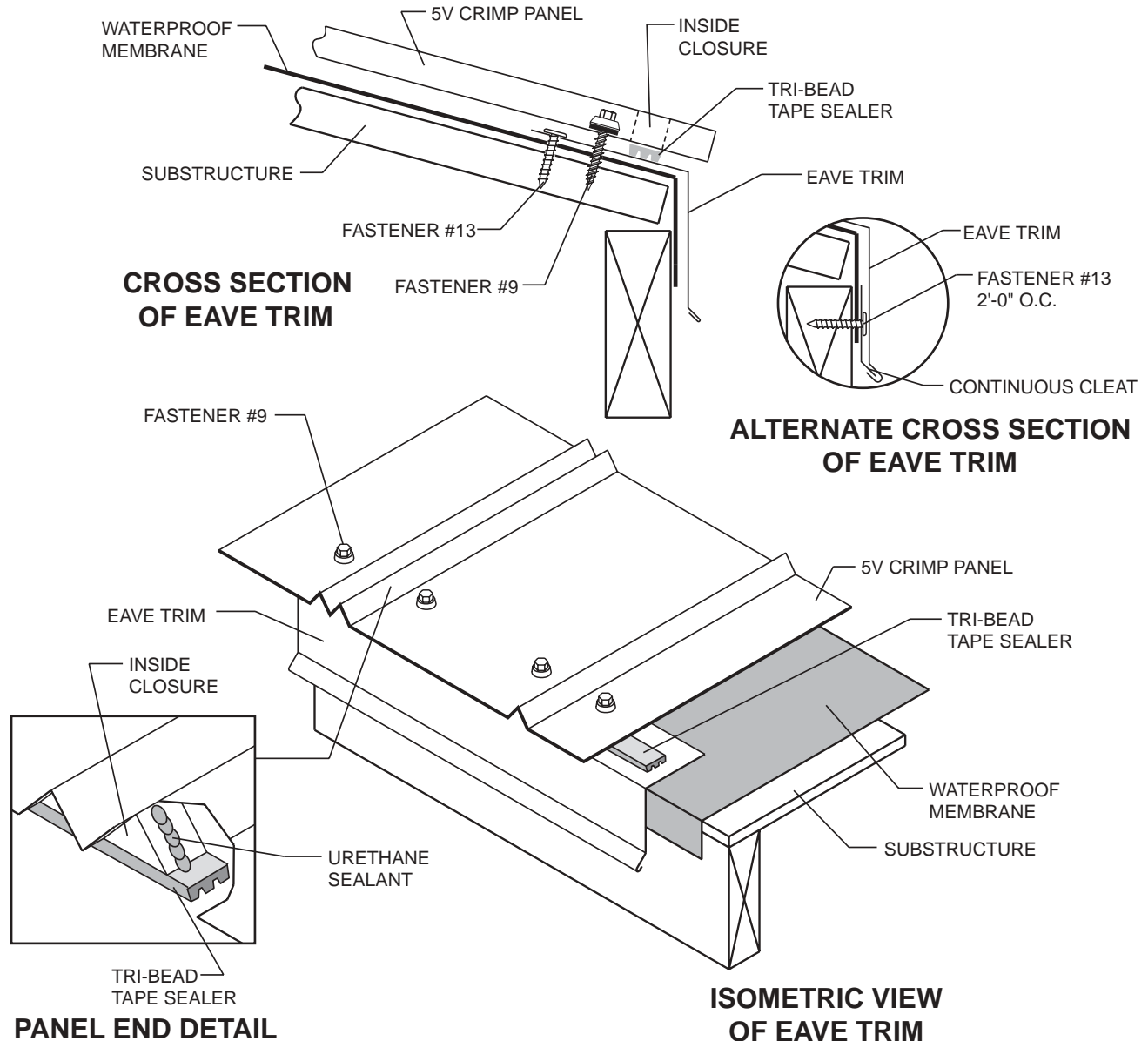
Alternate Drip Trim

1. Fasten drip trim to roof deck with Fastener #13 (10 x 1" Pancake Head) 2'-0" O.C.
2. Cut panel and bend a 1" open hem along length of panel.
3. Hook panel onto extending leg of drip trim and fasten panel to roof deck in normal manner.

5V CRIMP

PRODUCT INFORMATION

TYPICAL DETAILS EAVE TRIM



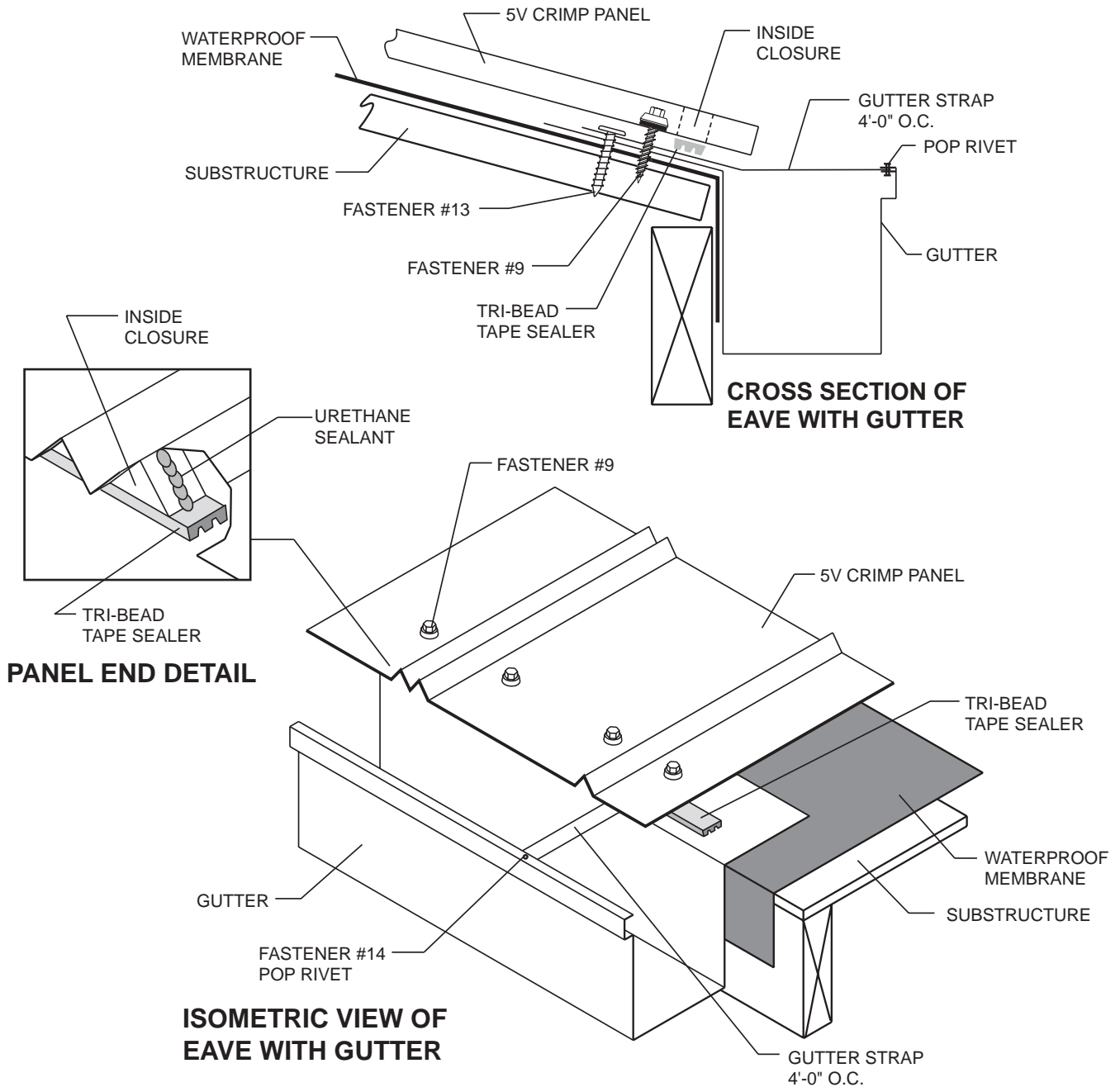
NOTES:

1. Attach eave trim to roof deck with Fastener #13 (10 x 1" Pancake Head) (2 fasteners per 10' section).
2. Install Tri-Bead tape sealer along top leg of eave trim. Install inside closure on top of Tri-Bead tape sealer. Apply a bead of urethane sealant to top of outside closure.
3. Attach panel at eave with Fastener #9 (10 x 1½" Long Life Woodgrip). Fastener pattern is shown on Page V-7.

PRODUCT INFORMATION

5V CRIMP

TYPICAL DETAILS GUTTER

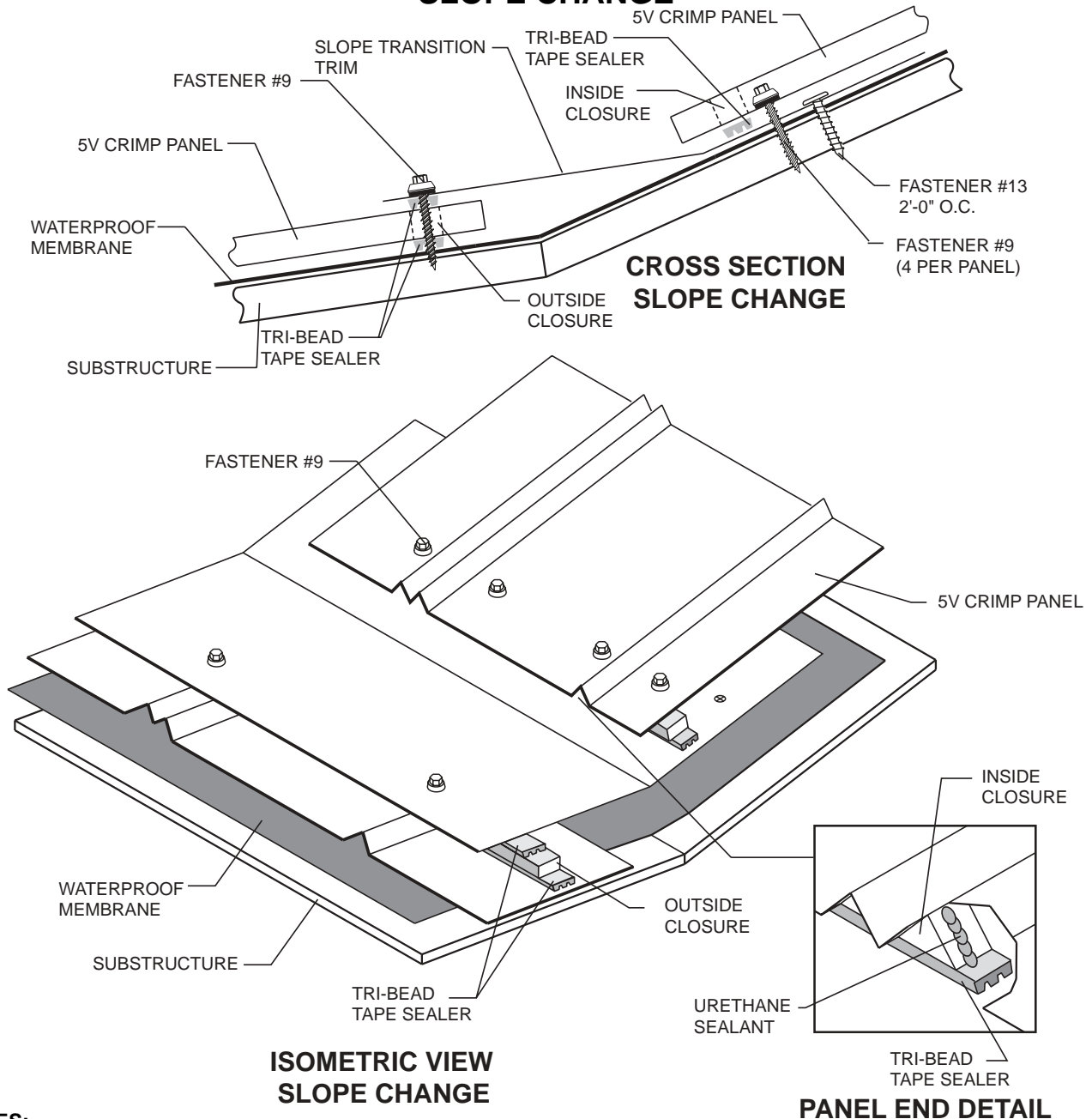


NOTES:

1. Fastener #14 (pop rivet) gutter strap to gutter 4'-0" O.C. and attach gutter to roof deck with two Fastener #13 (10 x 1" Pancake Head) per 10' section.
2. Install Tri-Bead tape sealer along top leg of gutter. Install inside closure on top of Tri-Bead tape sealer. Apply a bead of urethane sealant to top of outside closure.
3. Attach panel at eave with Fastener #9 (10 x 1½" Long Life Woodgrip). Fastener pattern is shown on Page V-7.

5V CRIMP PRODUCT INFORMATION

TYPICAL DETAILS SLOPE CHANGE



NOTES:

1. Install eave panel with Fastener #9 (10 x 1½" Long Life Wood Grip). Apply Tri-Bead tape sealant on the bottom and top of the outside closure that is mounted down hill from the end of panel.
2. Install transition trim on top of the outside closure with hem of the trim being 1 inch from Fastener #9 (10 x 1½" Long Life Wood Grip) that is located 1'-0" O.C. and placed in the high part of the rib.
3. Fasten down top of trim with two Fasteners #13 (10 x 1" pancake head) per 10'-0" section of trim. Place Tri-Bead tape sealant on top of trim prior to placement of inside closure. Closure should be 1" from end of panel. Sealant on top of trim prior to placement of inside closure. Closure should be 1" from end of panel.
4. Apply a large bead of urethane sealant to top of the inside closure prior to placing panel on top of closure.
5. Attach uphill panel with Fastener #9 (10 x 1½" Long Life Wood Grip). Fastener pattern is shown on Page V-7.