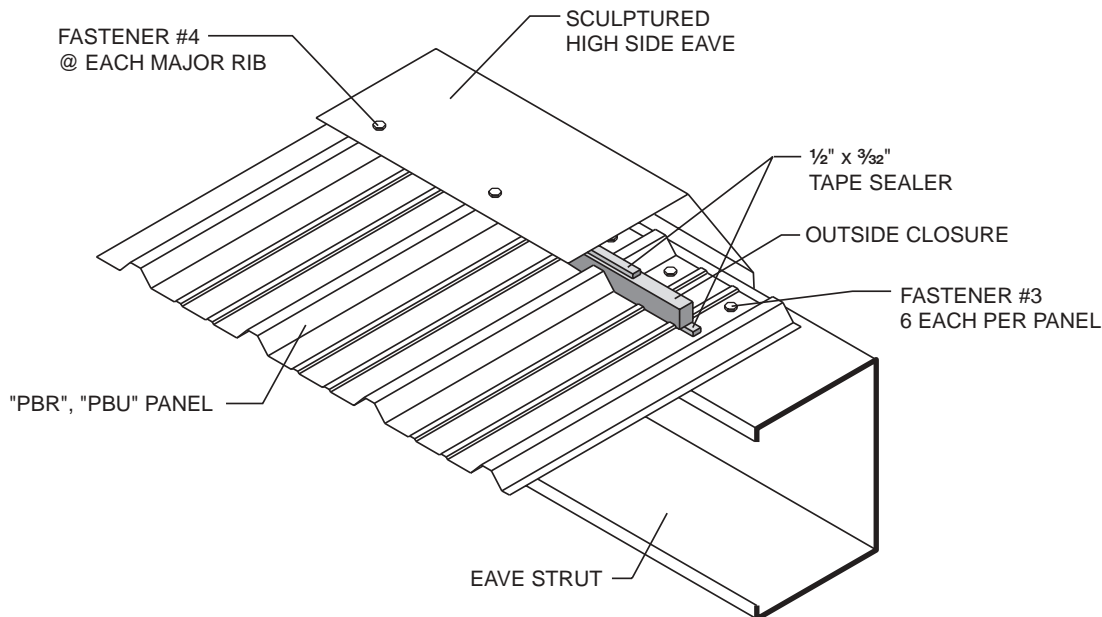
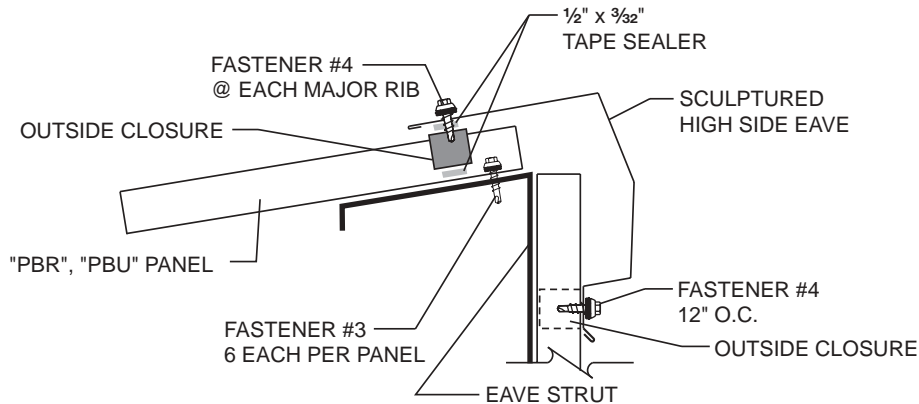


PRODUCT INFORMATION

"PBR", "PBU" PANELS

TYPICAL DETAILS High Side Eave



NOTES:

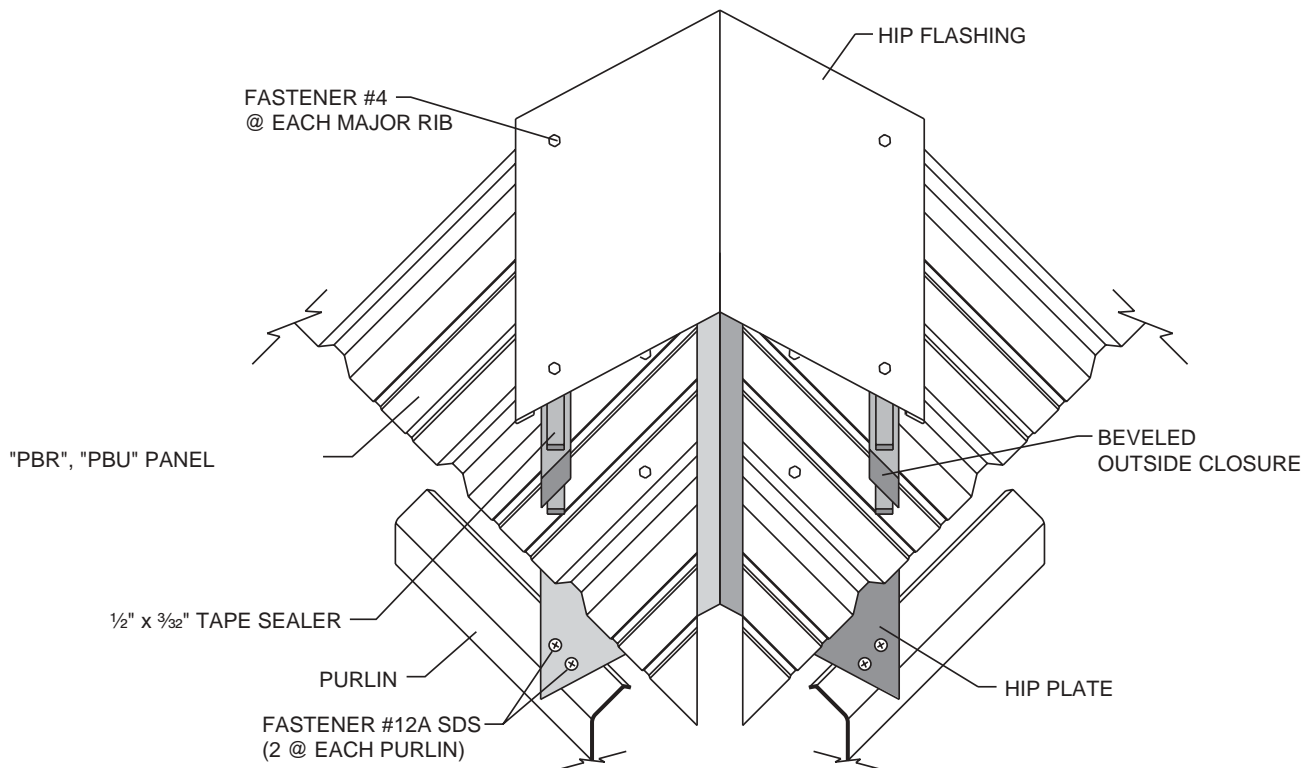
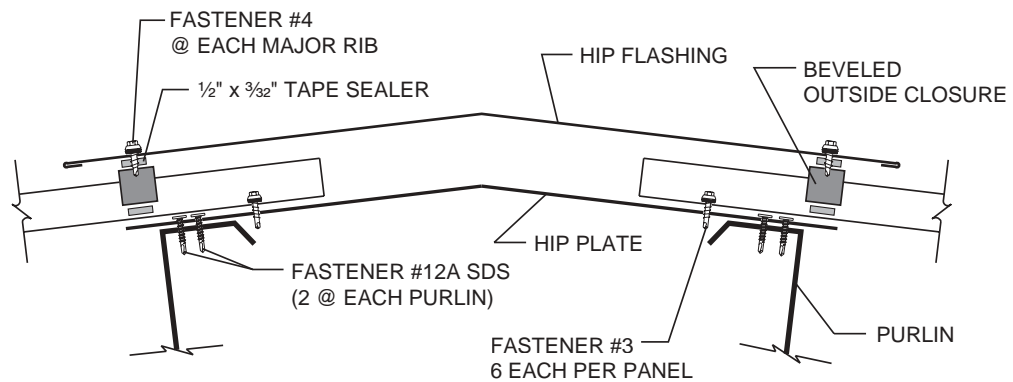
1. Install outside closure, with $\frac{1}{2}$ " X $\frac{3}{32}$ " tape sealer top and bottom, across width of "PBR", "PBU" panels.
2. Install Sculptured High Side Eave to "PBR", "PBU" panels at each major rib with Fastener #4 ($\frac{1}{4}$ "-14 X $\frac{7}{8}$ " Long Life Lap Tek). Sculptured high side eave trim should overhang outside closures $\frac{1}{2}$ " - 1".
3. Attach front face of sculptured high side eave trim to wall with fasteners or cleat as required for wall substrate.
4. Trim laps should be approximately 3" with sufficient pop rivets to hold lap together. Apply bead of urethane sealant between trim at 3" lap.

"PBR", "PBU" PANELS

PRODUCT INFORMATION

TYPICAL DETAILS

Hip



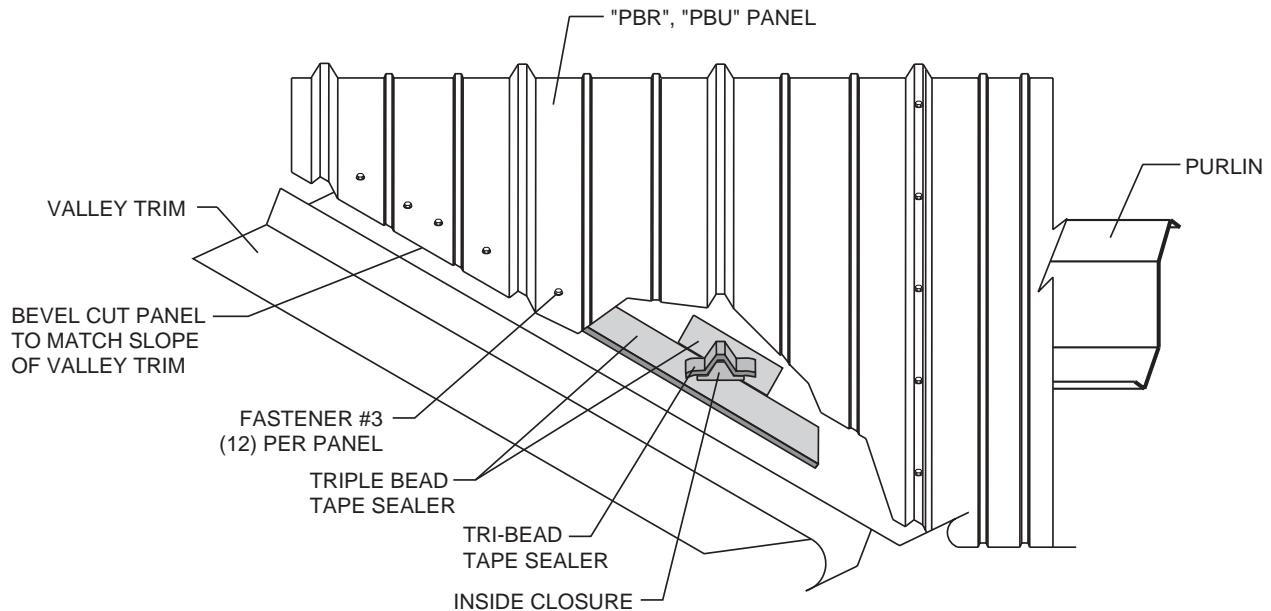
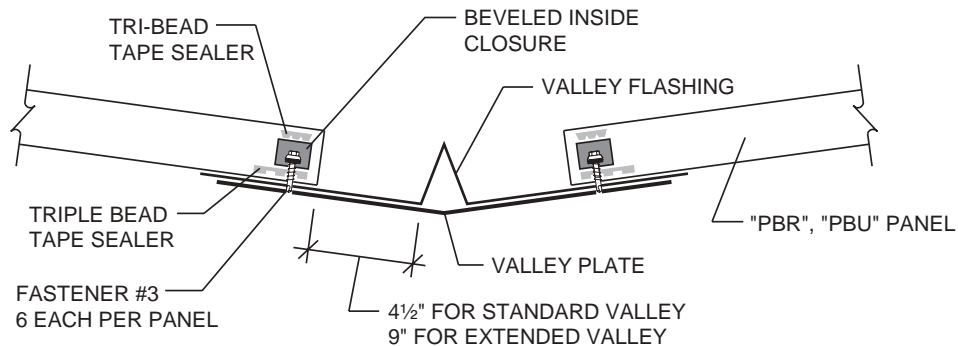
NOTES:

1. Bevel cut and install "PBR", "PBU" panels to follow bevel of hip.
2. Install beveled outside closures to panels, with 1/2" x 3/32" tape sealer top and bottom, following bevel of hip. Beveled closures must be special ordered and require a two week lead time.
3. Install hip flashing to panel at each major rib with Fastener #4 (1/4"-14 X 7/8" Long Life Lap Tek). Hip flashing should overlap outside closures 1/2"-1".
4. Trim laps should overlap approximately 3" with a bead of urethane sealant in between. Install a sufficient amount of pop rivets to hold lap together.

PRODUCT INFORMATION

"PBR", "PBU" PANELS

TYPICAL DETAILS Valley



NOTES:

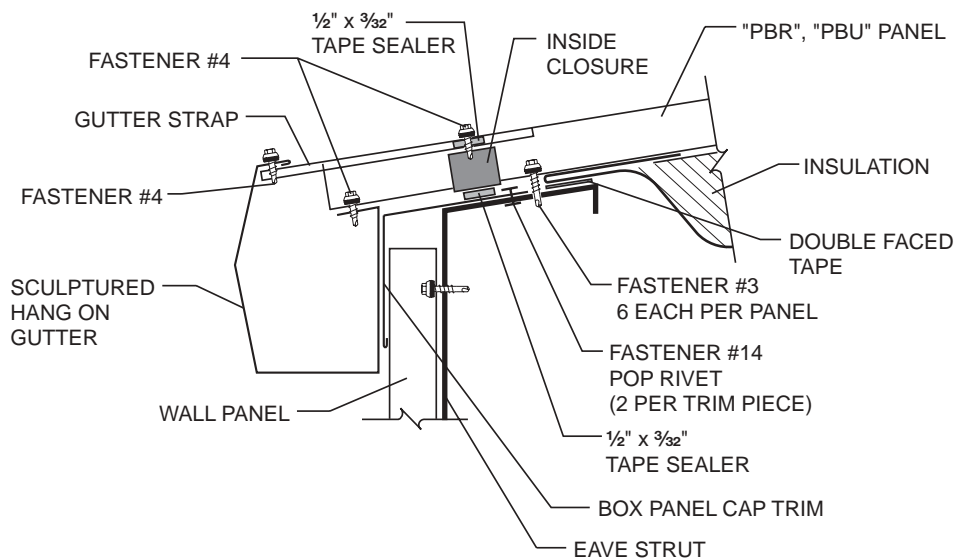
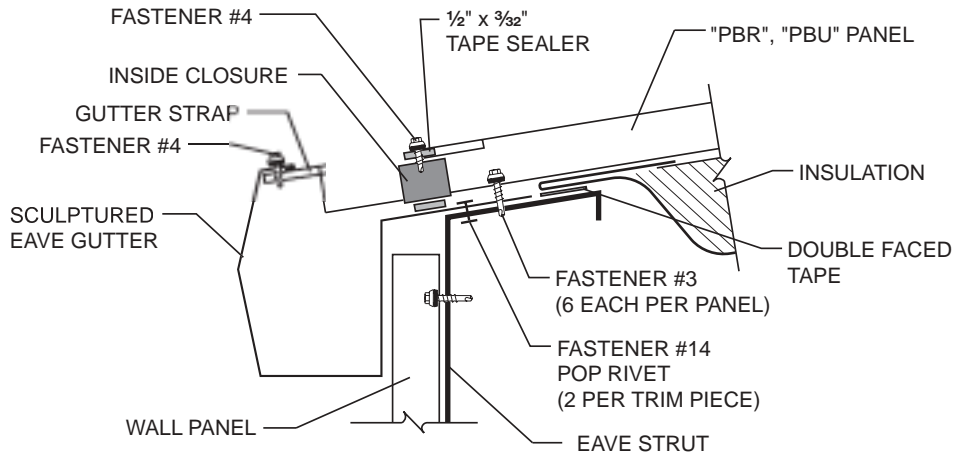
1. For valleys 30' or less in length, use standard valley trim. Valleys over 30' in length require extended valley trim.
2. Apply triple bead tape sealer to valley trim parallel to the slope of the valley. Lower edge of tape sealer should be 4½" from center of valley for standard valleys and 9" from the center of the valley for extended valleys.
3. Install high rib section of inside closure that has been field cut from standard 3'-0" straight closure. Place the cut closure square with the rib of the panel. Install Tri-Bead tape sealer to top of inside closure prior to laying panel edge down on top of the cut closure. The triple bead tape with proper fastener sequence will seal the minor ribs of the panel that are between the major ribs.
4. Bevel cut "PBR", "PBU" panels to fit slope of valley and install to valley with Fastener #3 (12-14 X 1¼" Long Life driller) at 4" on center. Fasteners must be installed through the closures and into triple bead tape sealer.
5. Trim laps should overlap approximately 6" with a bead of urethane sealant in between. Do not rivet valley laps together. If laps gap open, install Fastener #4 (¼"-14 X 7/8" Long Life Lap Tek) into each side of water diverter while holding lap tightly together.

"PBR", "PBU" PANELS

PRODUCT INFORMATION

TYPICAL DETAILS

Gutter



NOTES:

Eave Gutter

1. Attach gutter to eave strut with three Fastener #14 pop rivets per section.
2. Install inside closures to top leg of gutter with 1/2" x 3/32" tape sealer top and bottom.
3. Install "PBR", "PBU" panel with Fastener #3 (12-14 X 1 1/4" Long Life driller) on each side of major ribs (two fasteners per foot). Fasteners must be installed up slope from inside closures.
4. Gutter laps should be approximately 3" with a bead of urethane sealant in between. Install a sufficient amount of pop rivets to hold lap together.
5. Install gutter straps 3'-0" on center with Fastener #4 (1/4"-14 X 7/8" Long Life Lap Tek) fasteners at each end.

Hang-on Gutter

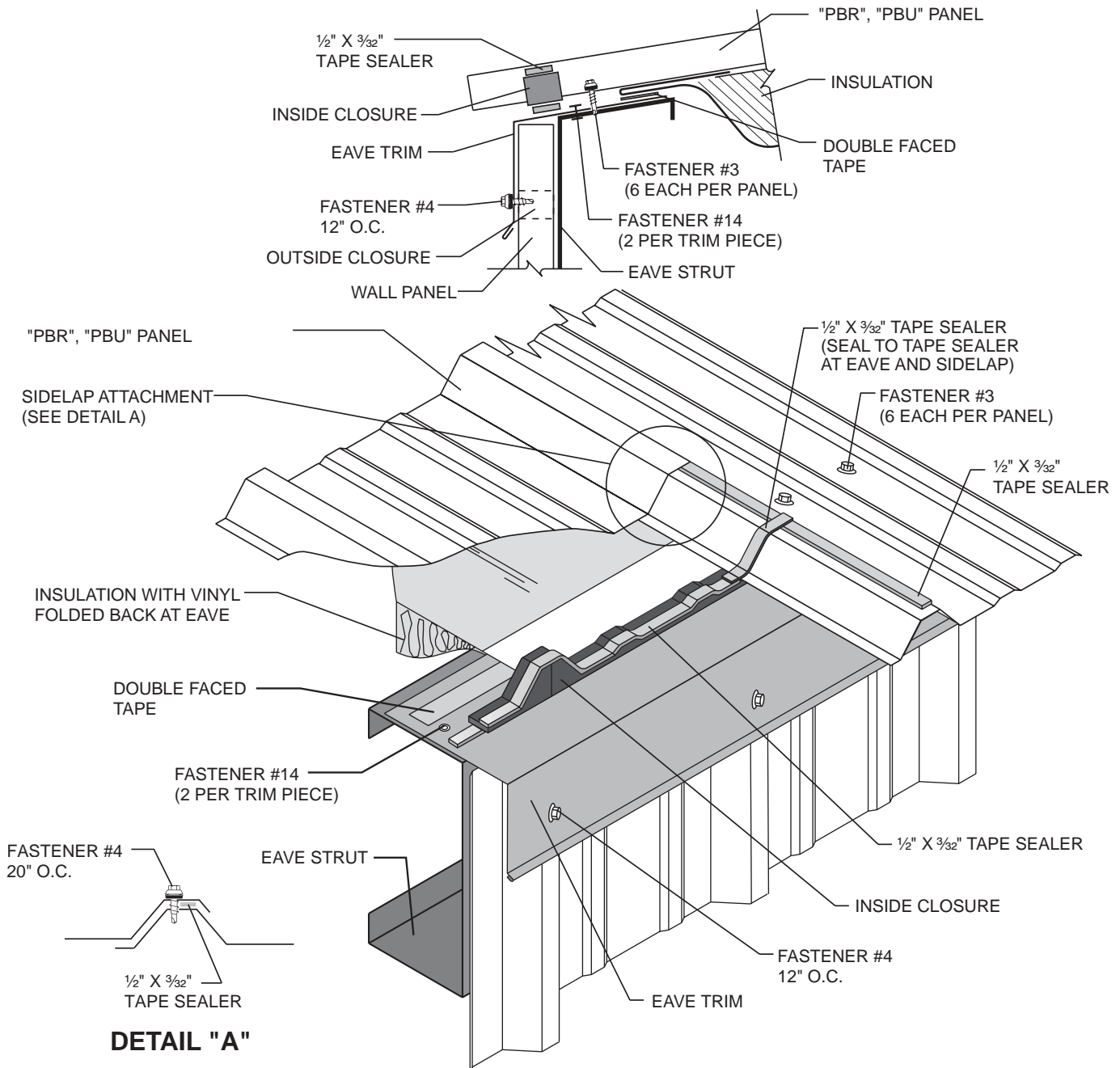
1. Attach Box Panel Cap Trim to top of eave strut with pop rivet #14 (three per 10'-0" section).
2. Install inside closure on top of Box Panel Cap Trim with 1/2" x 3/32" tape sealer top and bottom of closure.
3. Install "PBR", "PBU" panels with Fastener #3 (12-14 X 1 1/4" Long Life driller) on each side of the major ribs (two fasteners per foot). Fasteners must be installed up slope from inside closures.
4. Attach gutter to roof panels with Fastener #4 (1/4"-14 X 7/8" Long Life Lap Tek) at each end.
5. Gutter laps should be approximately 3" with a bead of urethane sealant in between. Install a sufficient amount of Fastener #14 (pop rivets) to hold lap together.
6. Install gutter straps 3'-0" on center with Fastener #4 (1/4"-14 X 7/8" Long Life Lap Tek) at each end.

PRODUCT INFORMATION

"PBR", "PBU" PANELS

TYPICAL DETAILS

Eave Trim



NOTES:

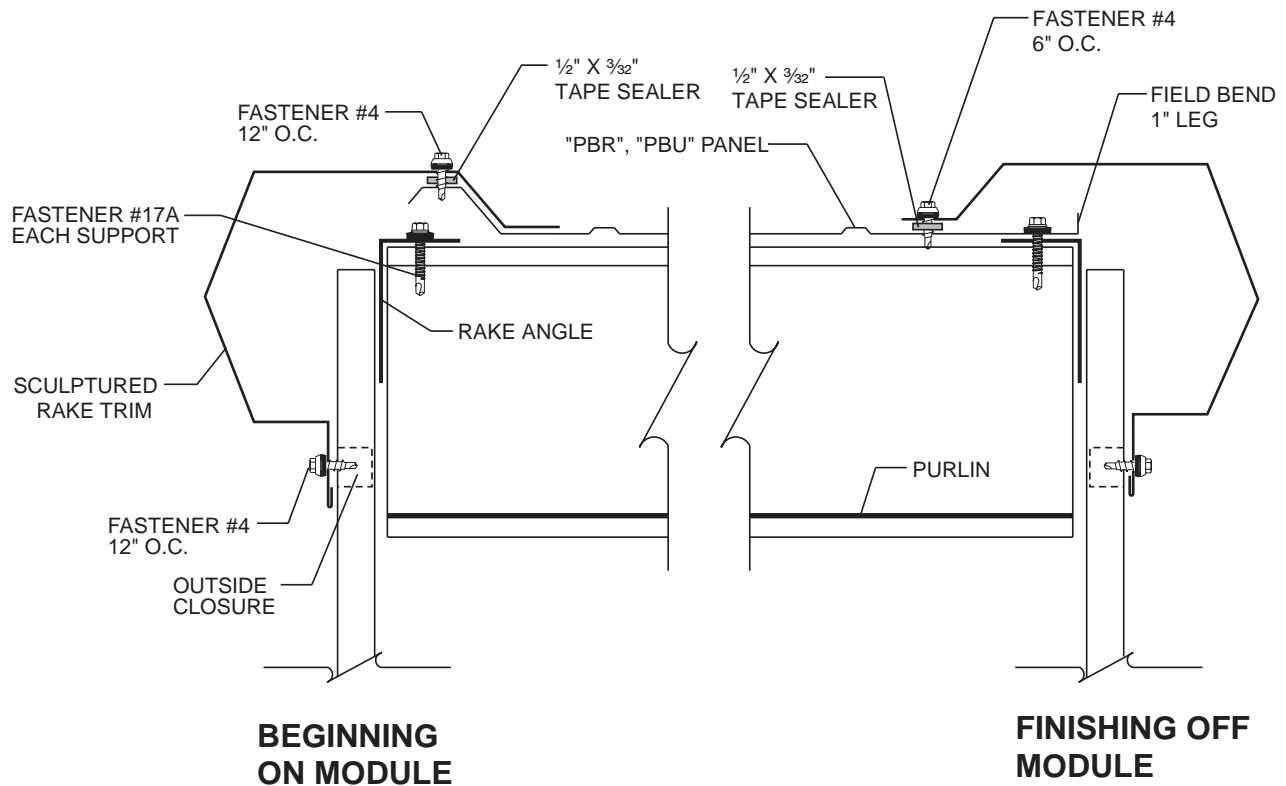
1. Install eave trim to structure with three pop rivets per section.
2. Install inside closures along top leg of eave trim with 1/2" x 3/32" tape sealer top and bottom.
3. Install "PBR", "PBU" panel with Fastener #3 (12-14 X 1 1/4" Long Life driller) on each side of major ribs (2 fasteners per foot) allowing panel to overhang 1 1/2" plus wall thickness. Fasteners must be installed up slope from inside closures.
4. Attach front face of eave trim to wall with fasteners or cleat as required for wall substrate.
5. Trim laps should overlap approximately 3" with a bead of urethane sealant in between. Install a sufficient amount of Fastener #14 pop rivets to hold lap together.

“PBR”, “PBU” PANELS

PRODUCT INFORMATION

TYPICAL DETAILS

Rake



NOTES:

Beginning on Module

1. Install 1/2" x 3/32" tape sealer to top of "PBR", "PBU" panel rib.
2. Install rake trim to "PBR", "PBU" panel rib with Fastener #4 (1/4"-14 X 7/8" Long Life Lap Tek) at 1'-0" on center.
3. Attach front face of rake trim to wall with fasteners or cleat as required for wall substrate.
4. Trim laps should overlap approximately 3" with a bead of urethane sealant in between. Install a sufficient amount of Fastener #14 pop rivets to hold lap together.

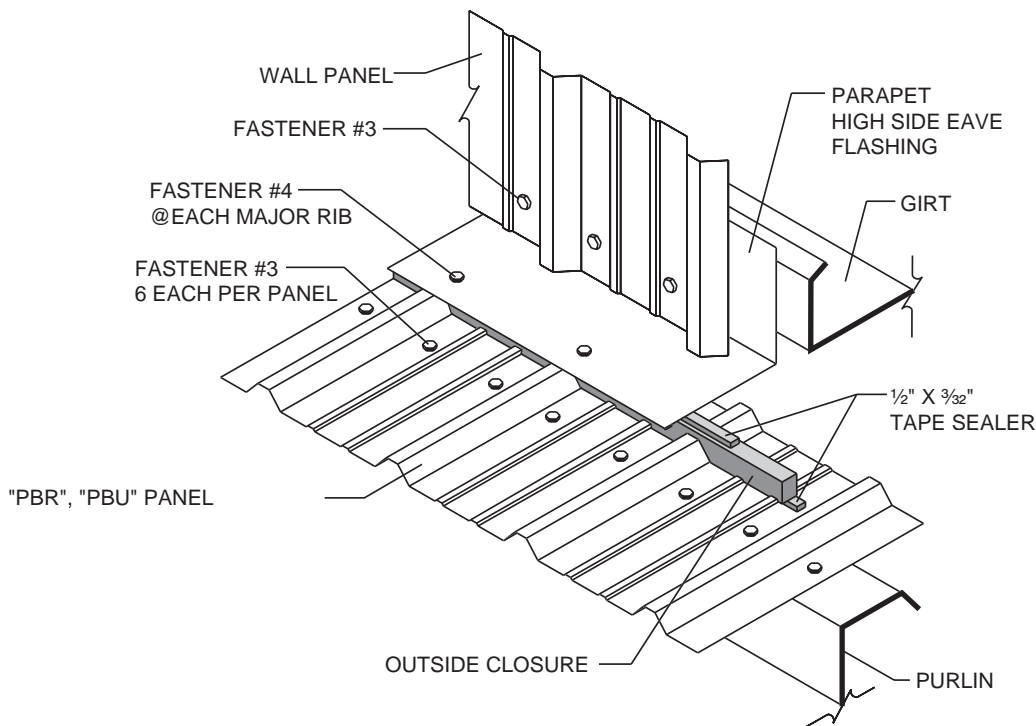
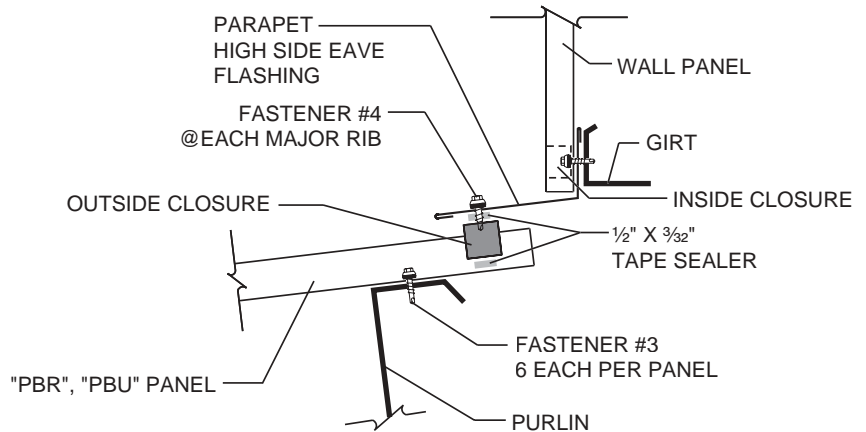
Finishing off Module

1. Cut and field bend a 1" leg on "PBR", "PBU" Panel.
2. Install 1/2" x 3/32" tape sealer to top of "PBR", "PBU" panel.
3. Install rake trim to "PBR", "PBU" panel with Fastener #4 (1/4"-14 X 7/8" Long Life Lap Tek) at 6" on center.
4. Attach front face of rake trim to wall with fasteners or cleat as required for wall substrate.
5. Trim laps should overlap approximately 3" with a bead of urethane sealant in between. Install a sufficient amount of pop rivets to hold lap together.

PRODUCT INFORMATION

"PBR", "PBU" PANELS

TYPICAL DETAILS Parapet High Side Eave



NOTES:

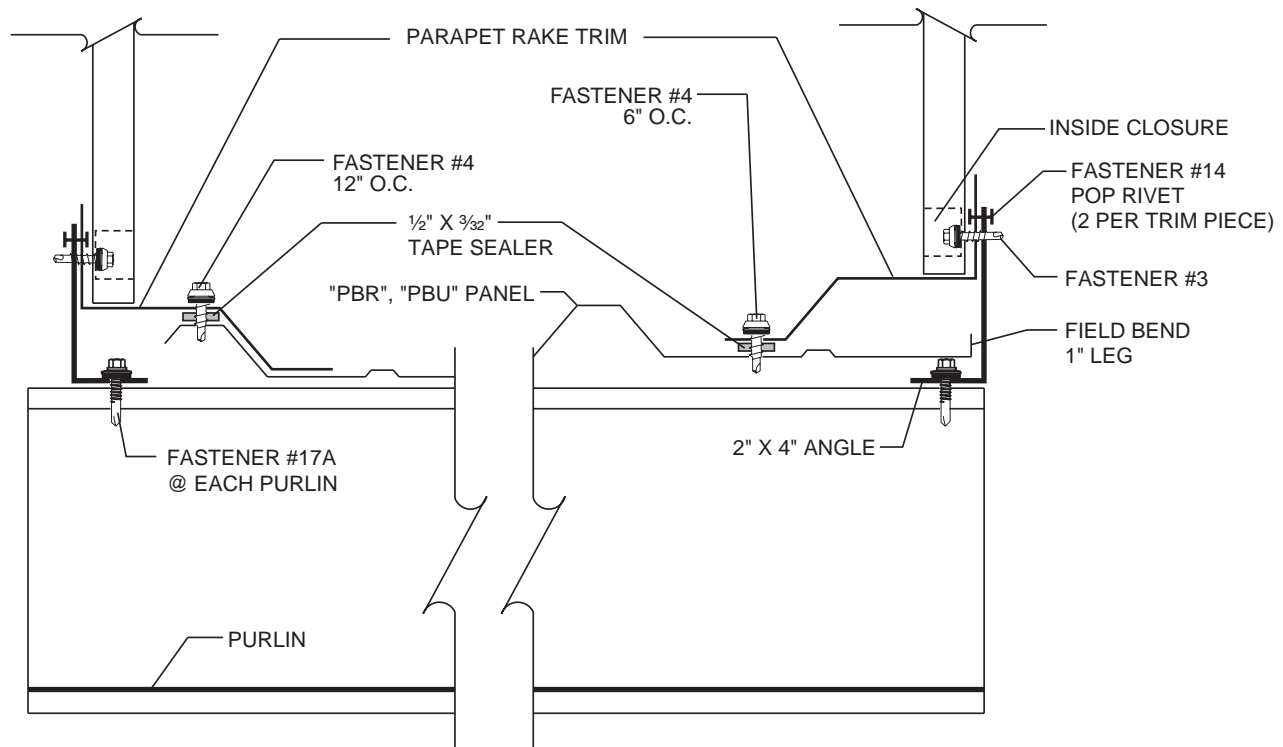
1. Install outside closure, with 1/2" x 3/32" tape sealer top and bottom, across width of "PBR", "PBU" panels.
2. Install parapet high side trim to "PBR", "PBU" panels at each major rib with Fastener #4 (1/4"-14 X 7/8" Long Life Lap Tek). Trim should overhang outside closures 1/2" - 1".
3. Attach top leg of parapet high side trim to wall with fasteners as required for wall substrate.
4. Trim laps should overlap approximately 3" with a bead of urethane sealant in between. Install a sufficient amount of pop rivets to hold lap together.

"PBR", "PBU" PANELS

PRODUCT INFORMATION

TYPICAL DETAILS

Parapet Rake



NOTES:

Beginning on Module

1. Install $\frac{1}{2} \times \frac{3}{32}$ " tape sealer to top of "PBR", "PBU" panel rib.
2. Install parapet rake trim to "PBR", "PBU" panel rib with Fastener #4 ($\frac{1}{4}$ "-14 X $\frac{7}{8}$ " Long Life Lap Tek) at 1'-0" on center.
3. Attach top leg of parapet rake trim to 2" X 4" angle with Fastener #14 pop rivet. Elevate horizontal leg of parapet trim slightly, to provide for positive drainage of water.
4. Trim laps should overlap approximately 3" with a bead of urethane sealant in between. Install a sufficient amount of Fastener #14 pop rivets to hold lap together.

Finishing off Module

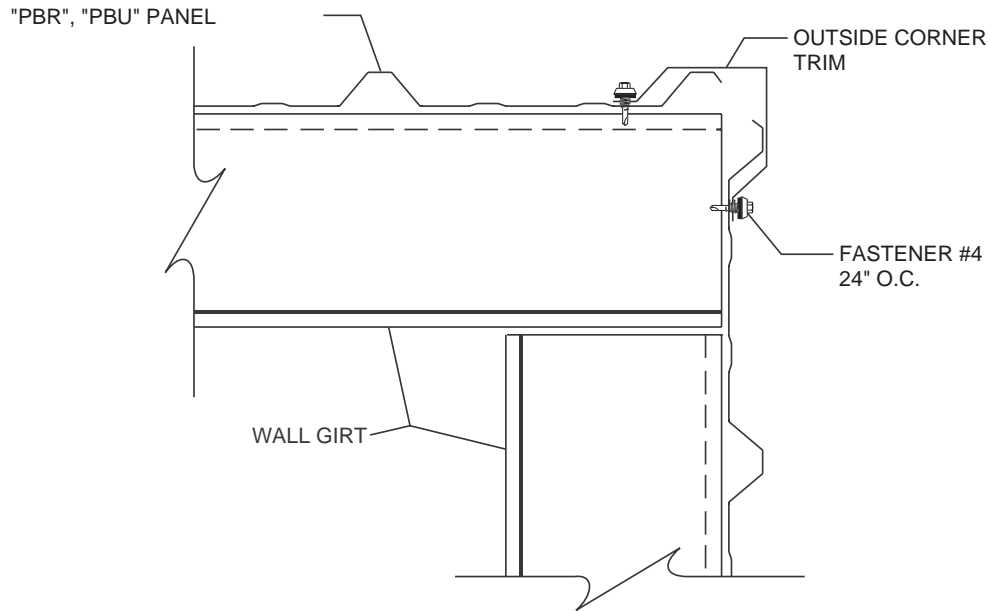
1. Cut and bend a 1" leg on "PBR", "PBU" Panel.
2. Install $\frac{1}{2} \times \frac{3}{32}$ " tape sealer to top of "PBR", "PBU" panel.
3. Install parapet rake trim to "PBR", "PBU" panel with Fastener #4 ($\frac{1}{4}$ "-14 X $\frac{7}{8}$ " Long Life Lap Tek) at 6" on center.
4. Attach top leg of parapet rake trim to 2" X 4" angle with pop rivets. Elevate horizontal leg of parapet trim slightly, to provide for positive drainage of water.
5. Trim laps should overlap approximately 3" with a bead of urethane sealant in between. Install a sufficient amount of Fastener #14 pop rivets to hold lap together.

PRODUCT INFORMATION

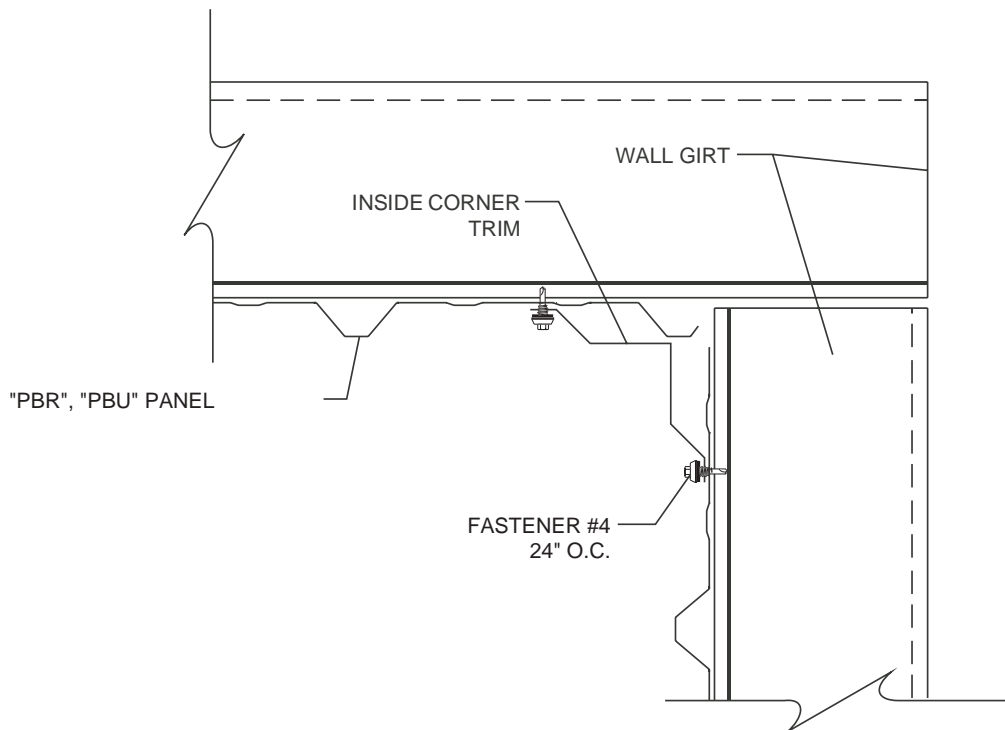
"PBR", "PBU" PANELS

TYPICAL DETAILS

Corner



OUTSIDE CORNER DETAIL



INSIDE CORNER DETAIL

NOTES:

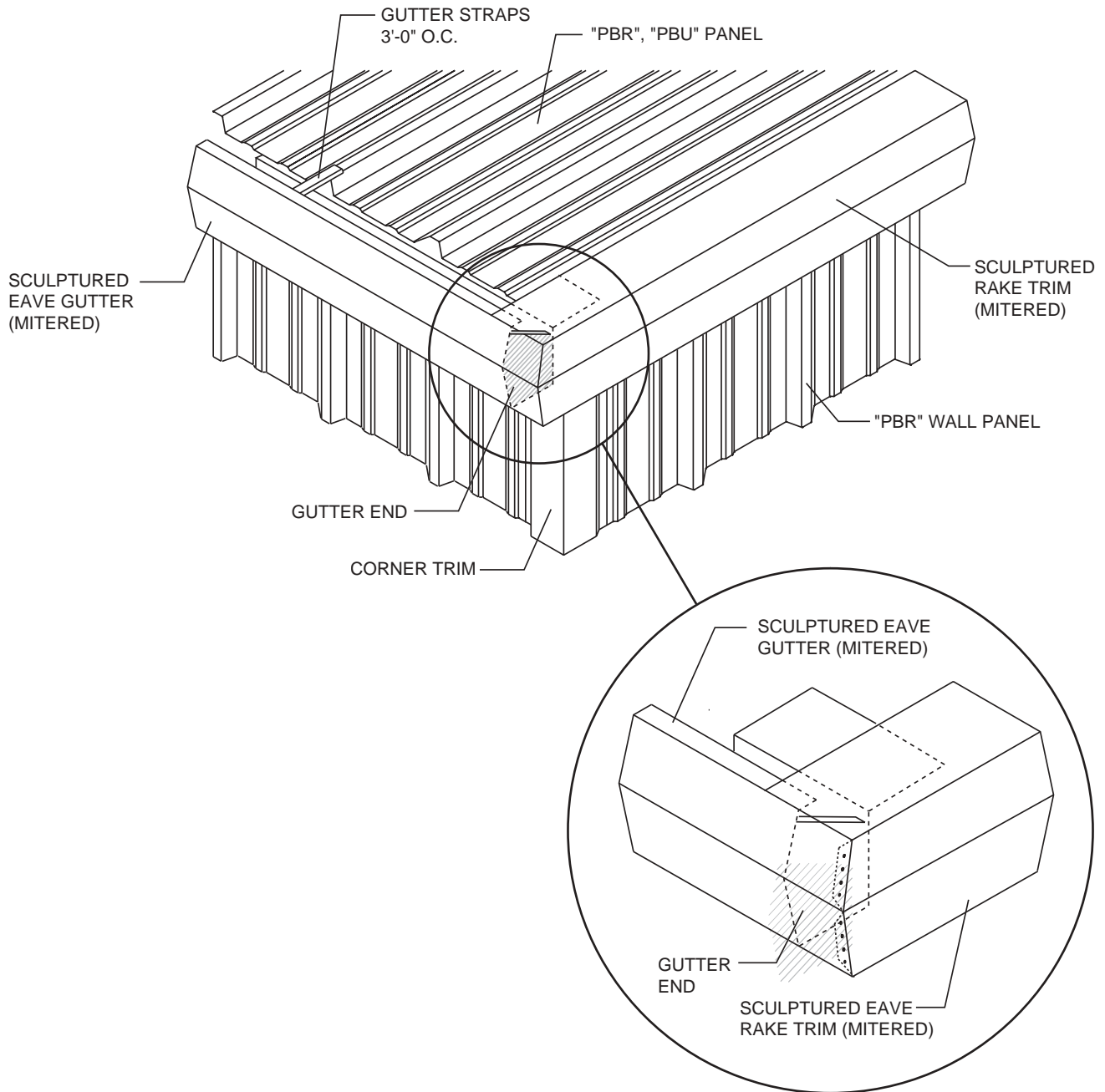
1. Install corner trim with Fastener #4 (1/4 - 14 X 7/8" Long Life Lap Tek) fastener 2'-0" O.C.

"PBR", "PBU" PANELS

PRODUCT INFORMATION

TYPICAL DETAILS

Corner Box



NOTES:

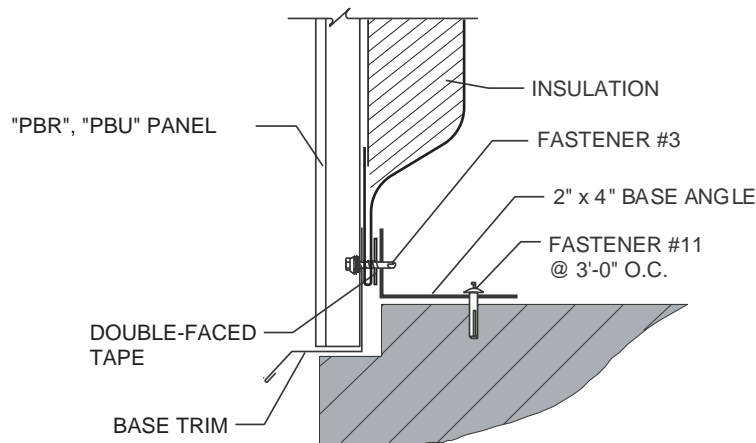
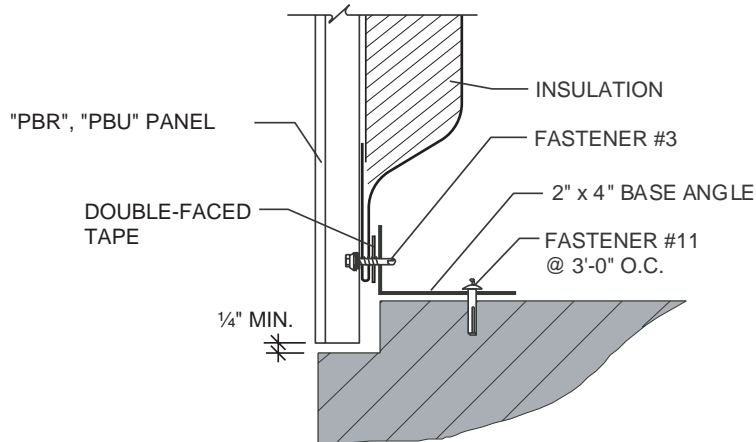
1. Gutter and rake trim must be ordered with a left and right mitered end. To determine left or right, stand on ground and look toward eave. **Roof slope must also be specified.**

PRODUCT INFORMATION

"PBR", "PBU" PANELS

TYPICAL DETAILS

Base



NOTES:

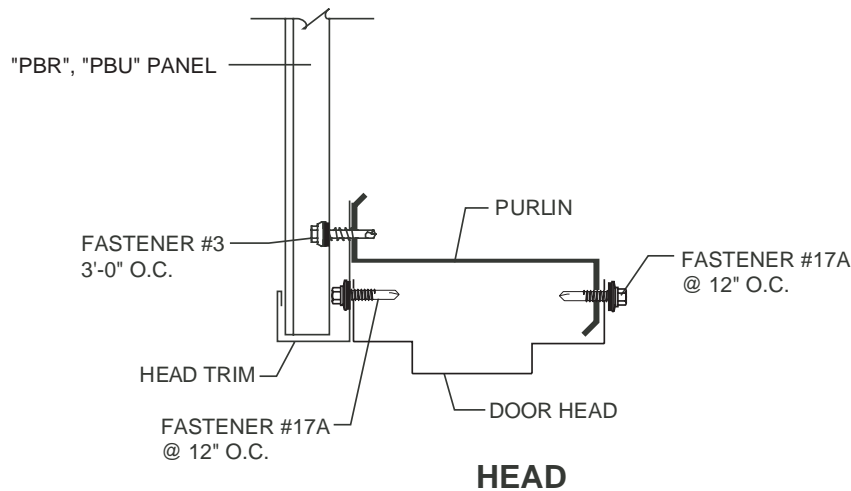
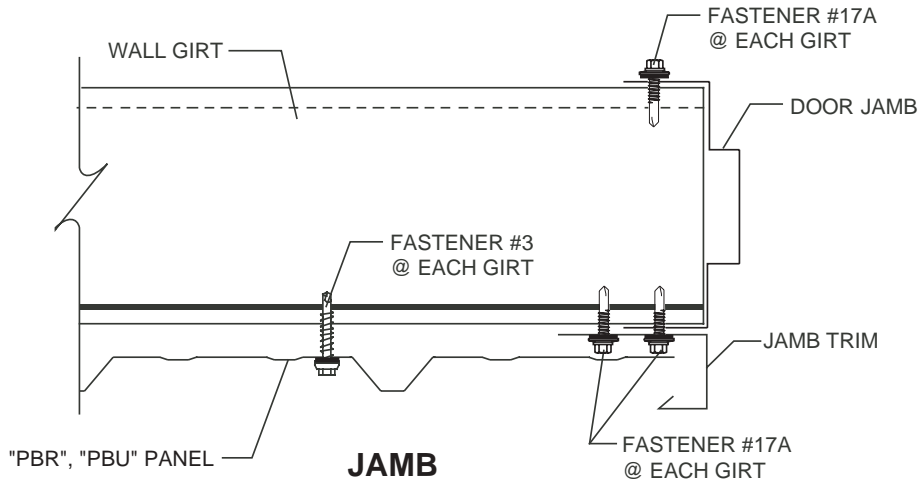
1. Wall with vinyl insulation, pull back fiberglass approximately 4" pull over end and staple. Apply double face tape to base angle and stick insulation to it before applying panel and fastening with Fastener #3 (1/4 - 14 x 1 1/4" Long Life Driller), six each per panel.
2. Should base trim be desired, temporarily attach trim to base angle with two Fastener #14 pop rivets until panels are installed.

"PBR", "PBU" PANELS

PRODUCT INFORMATION

TYPICAL DETAILS

Head / Jamb



NOTES:

1. Install Jamb and Head Trim with pop rivets as required to support flashing during panel installation.