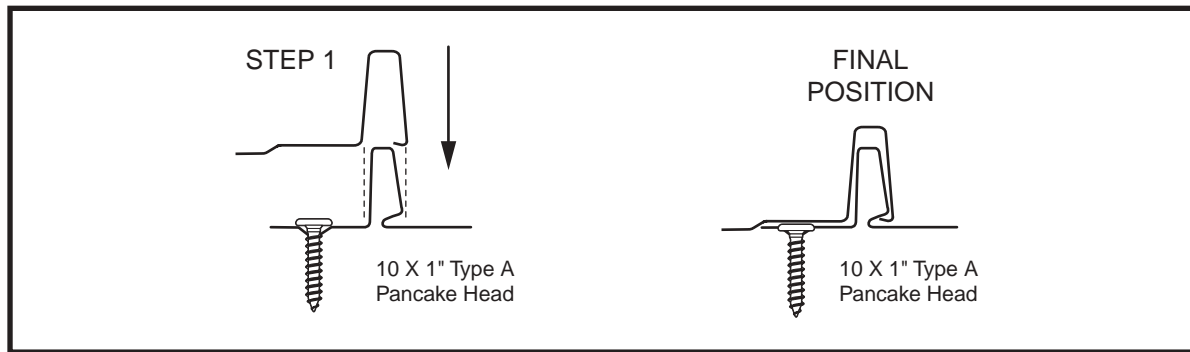
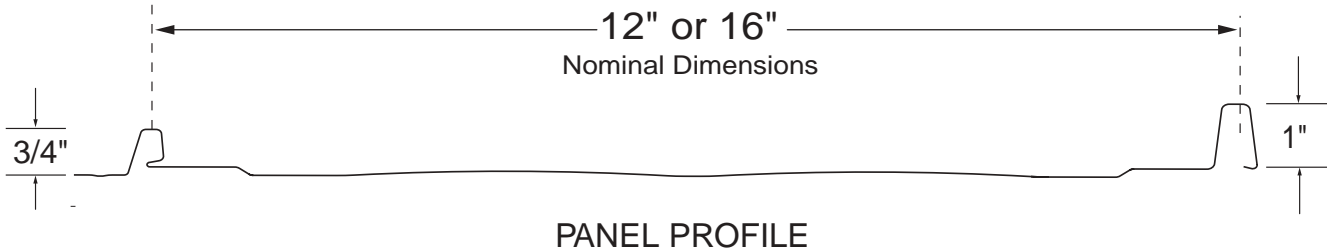
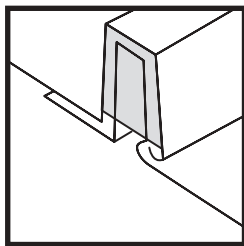


SLIMLINE SERIES[®] PRODUCT INFORMATION

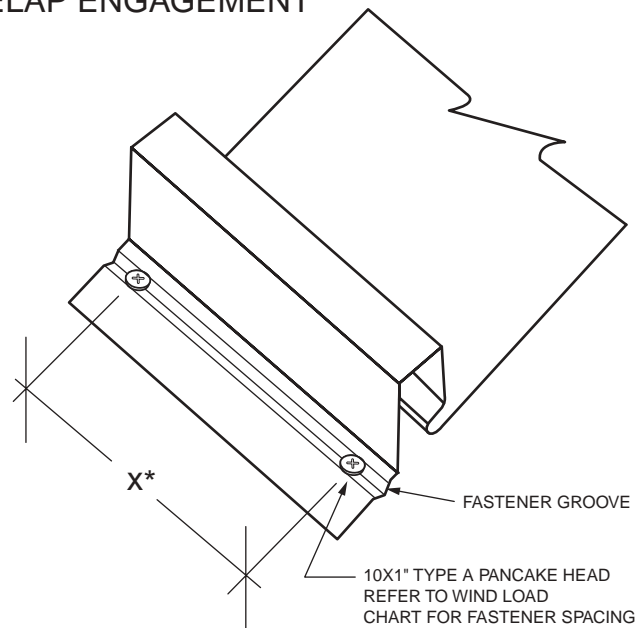
TYPICAL DETAILS SLIMLINE PANEL



PANEL SIDELAP ENGAGEMENT



END VIEW WITH SEALANT



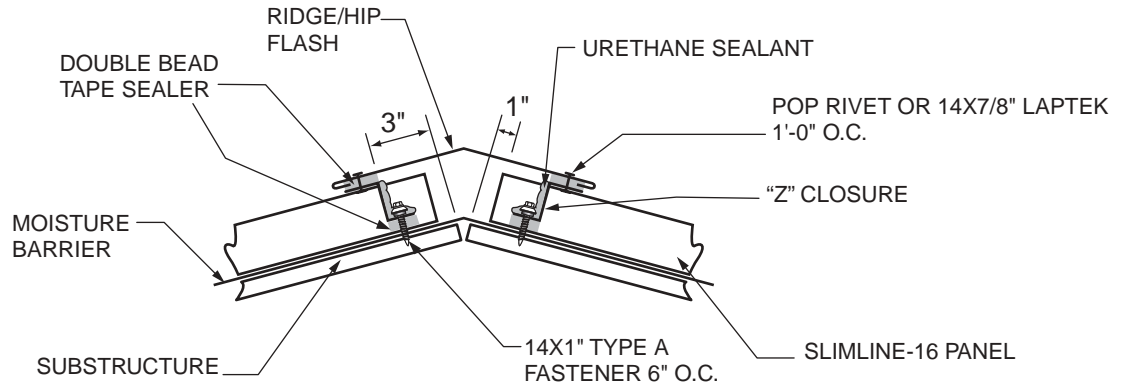
FASTENER INSTALLATION

NOTES:

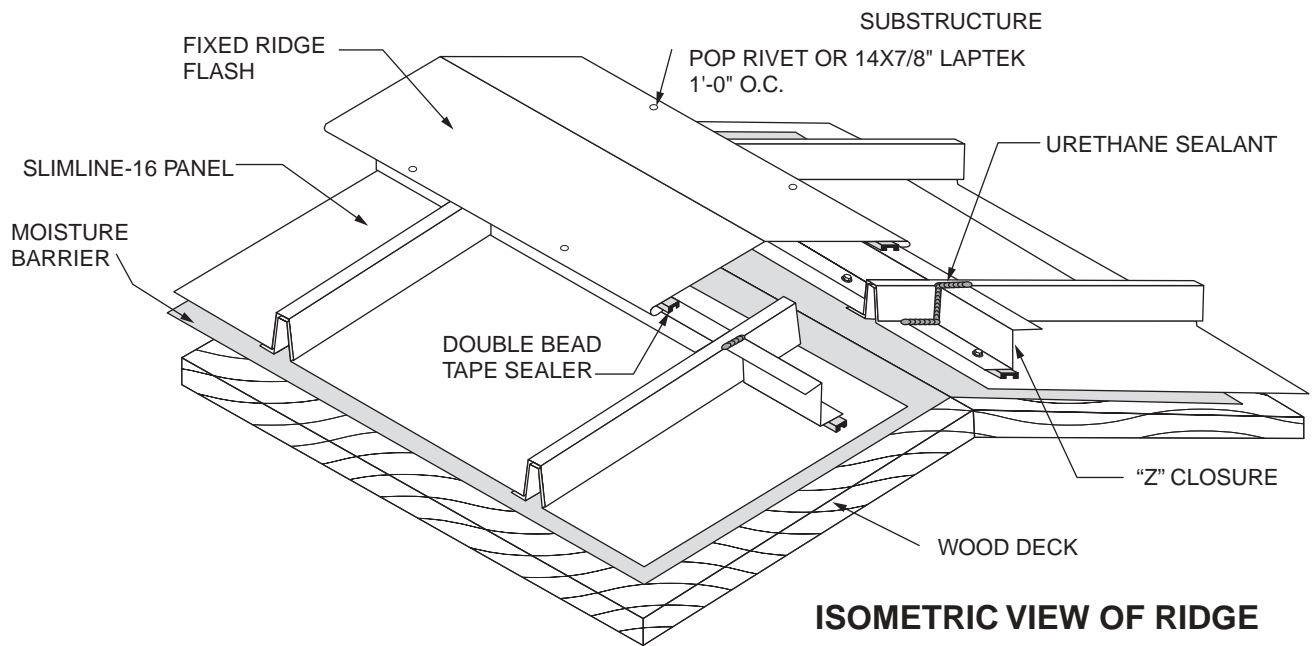
- 1) Panels are produced with a fastener groove to facilitate fastener placement.
- 2) Total sidelap engagement without spreading the panel rib is essential. Always check panel module at each end before installing fasteners.
- 3) Fill ends with urethane sealant.

SLIMLINE SERIES® PRODUCT INFORMATION

TYPICAL DETAILS - RIDGE/HIP



CROSS SECTION OF RIDGE



ISOMETRIC VIEW OF RIDGE

Ridge

NOTES:

- 1) Field cut "Z" closures to fit panel width.
- 2) Install double bead tape sealer to bottom leg of "Z" closures and attach to panels with four 14X1" Type A fasteners per panel (three fasteners for 12" panel). Vertical leg of "Z" closure should be 3" from center of ridge.
- 3) Seal ends of "Z" closures with urethane sealant.
- 4) Attach ridge flash to "Z" closures with pop rivet or 14X7/8" Laptek 1'-0" O.C.

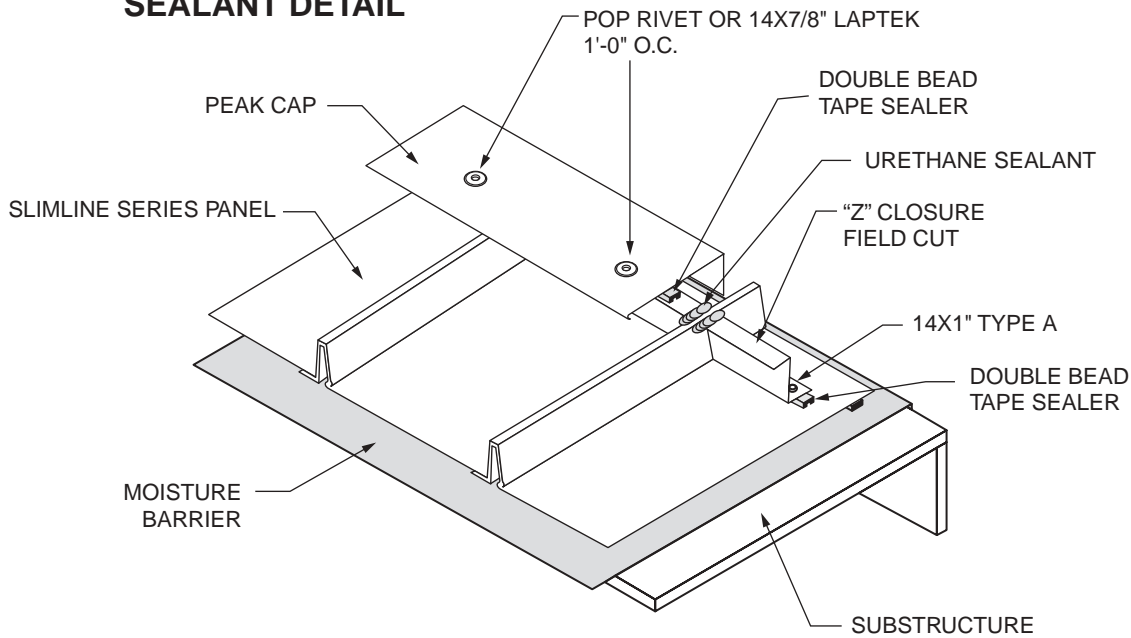
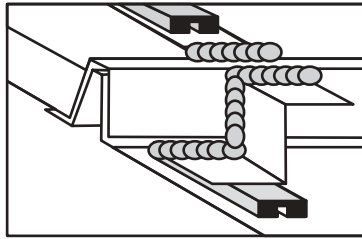
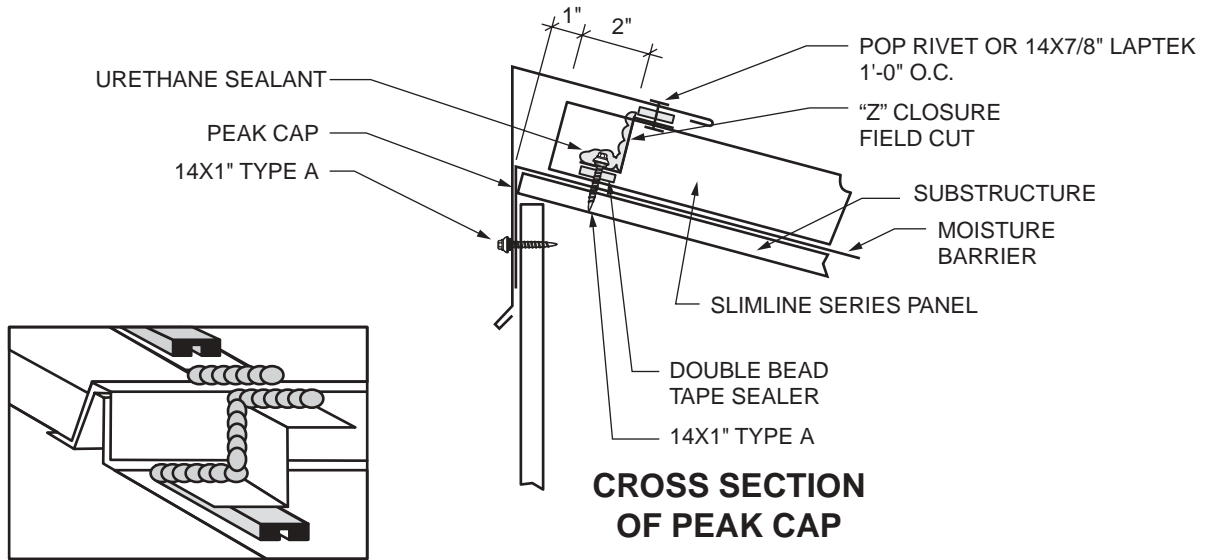
Hip

NOTES:

- 1) Bevel cut and install panels to follow bevel of hip.
- 2) Field cut "Z" closures to fit panel bevel width.
- 3) Install double bead tape sealer to bottom leg of "Z" closures and attach to panels with 14X1" Type A fasteners 6" O.C. maximum. Vertical leg of "Z" closure should be 3" from center of hip.

SLIMLINE SERIES® PRODUCT INFORMATION

TYPICAL DETAILS - PEAK CAP

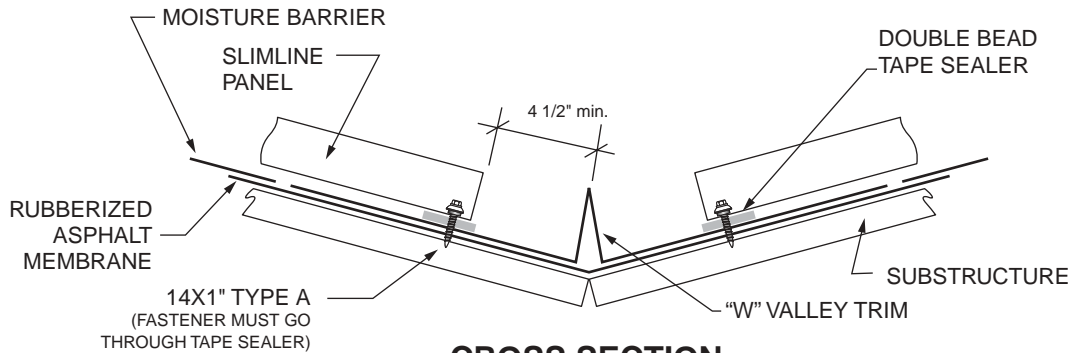


NOTES:

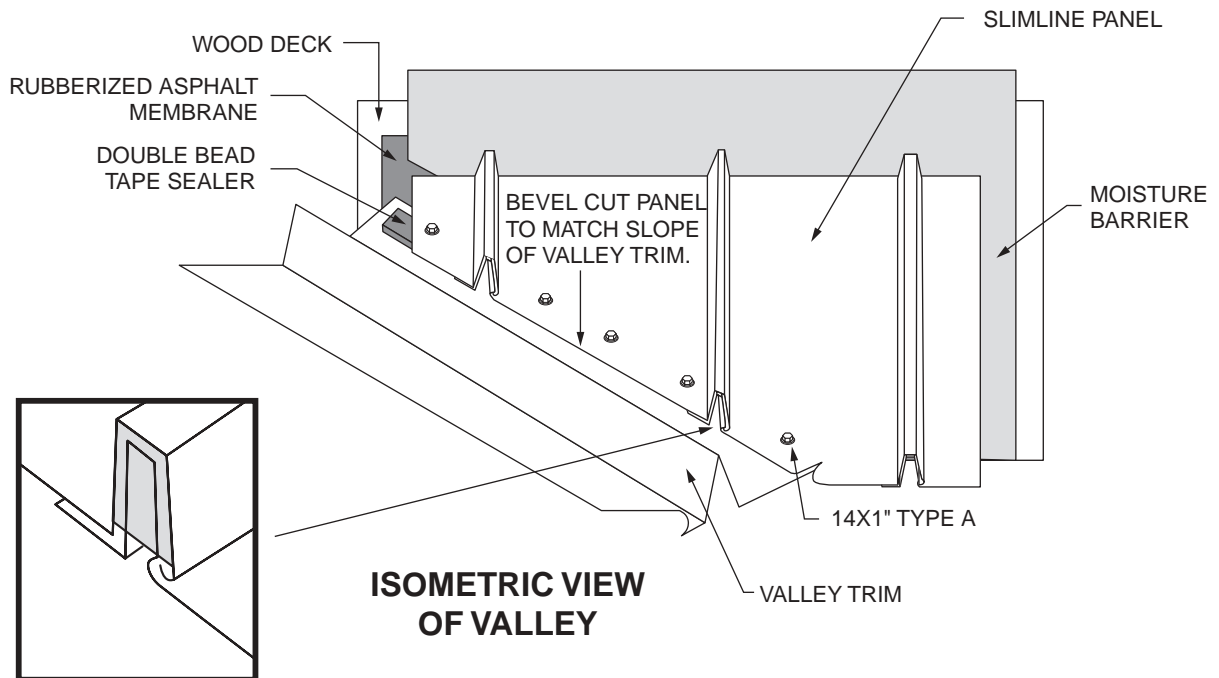
- 1) Field cut "Z" closures to fit panel width.
- 2) Install double bead tape sealer to bottom leg of "Z" closures and attach to panels with four 14X1" Type A fasteners per panel (three fasteners for 12" panel). Vertical leg of "Z" closure should be 3" from edge of peak.
- 3) Seal ends of "Z" closures with urethane sealant.
- 4) Attach peak cap to "Z" closures with pop rivets or 14X7/8" Laptek 1'-0" O.C.

SLIMLINE SERIES® PRODUCT INFORMATION

TYPICAL DETAILS - VALLEY



CROSS SECTION OF VALLEY



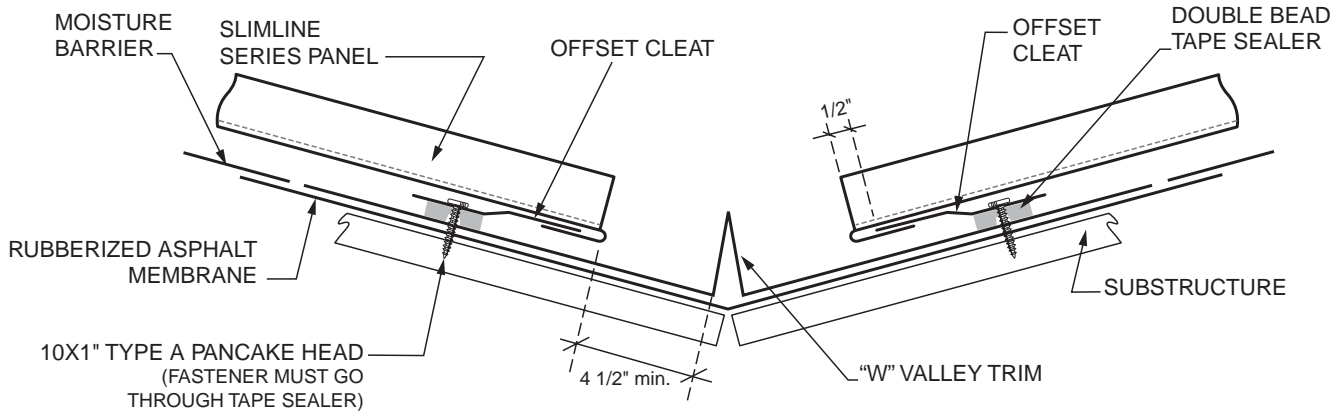
PANEL END SEALANT DETAIL

NOTES:

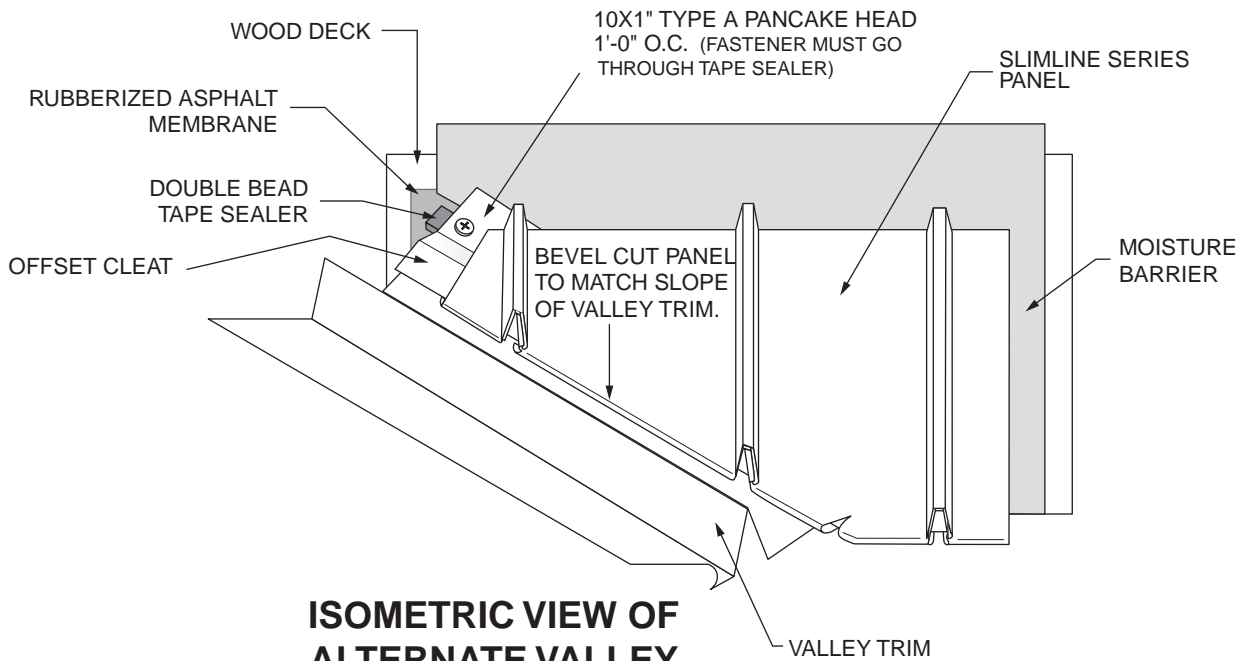
- 1) For valleys 30' or less in length, use standard "W" valley trim (LG-138 or LG-139). Valleys over 30' in length please inquire.
- 2) Apply double bead tape sealer to the valley trim parallel to the slope of the valley. Lower edge of tape sealer should be even with edge of roof panel.
- 3) Bevel cut panels to fit slope of valley.
- 4) Fasten panels to valley with 14X1" Type A fasteners 4" O.C. maximum. Fasteners must go through tape sealer.
- 5) Fill ends of panels with urethane sealant.

SLIMLINE SERIES® PRODUCT INFORMATION

ALTERNATE DETAIL VALLEY WITH OFFSET CLEAT



CROSS SECTION OF VALLEY



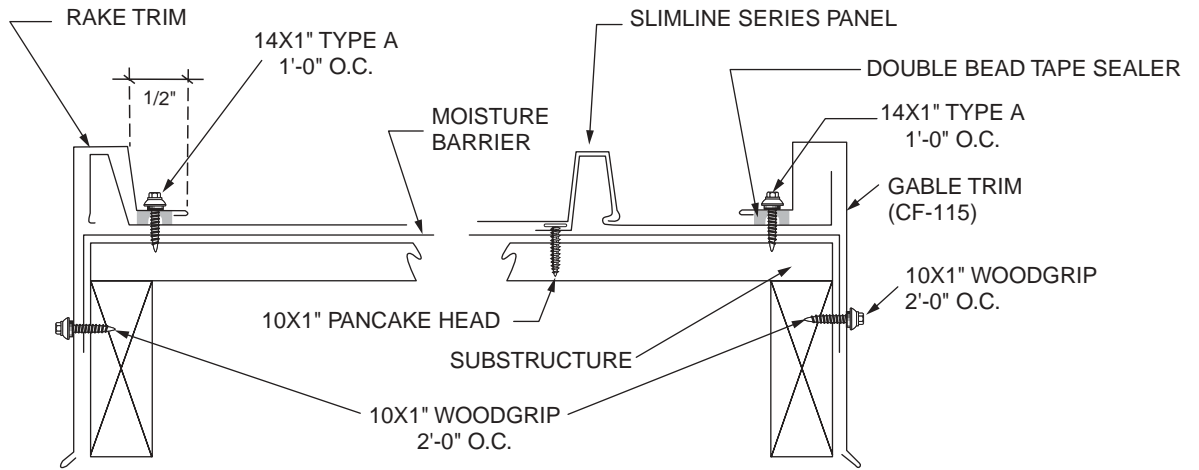
ISOMETRIC VIEW OF ALTERNATE VALLEY

NOTES:

- 1) Offset cleat is installed continuous along slope of valley over double bead tape sealer with 10X1" Type A Pancake Head Fastener at 1' - 0" O.C.
Fasteners must go through tape sealer.
- 2) Add 1 1/2" to panel length for the panel hem.

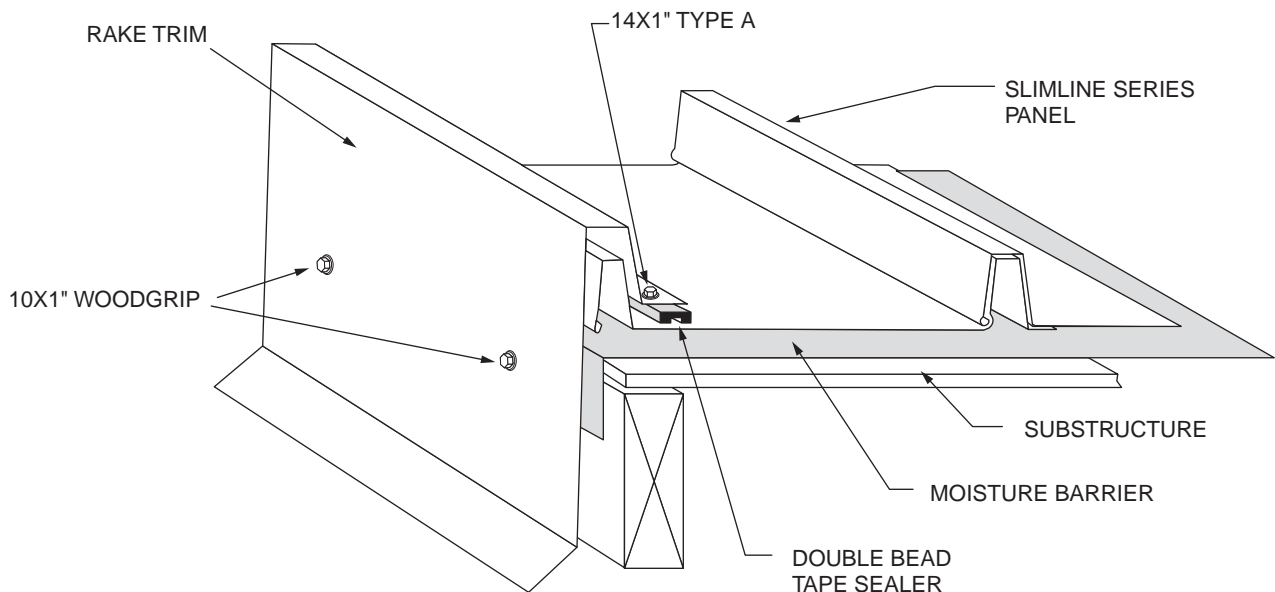
SLIMLINE SERIES® PRODUCT INFORMATION

TYPICAL DETAILS - RAKE



BEGINNING ON MODULE

FINISHING OFF MODULE



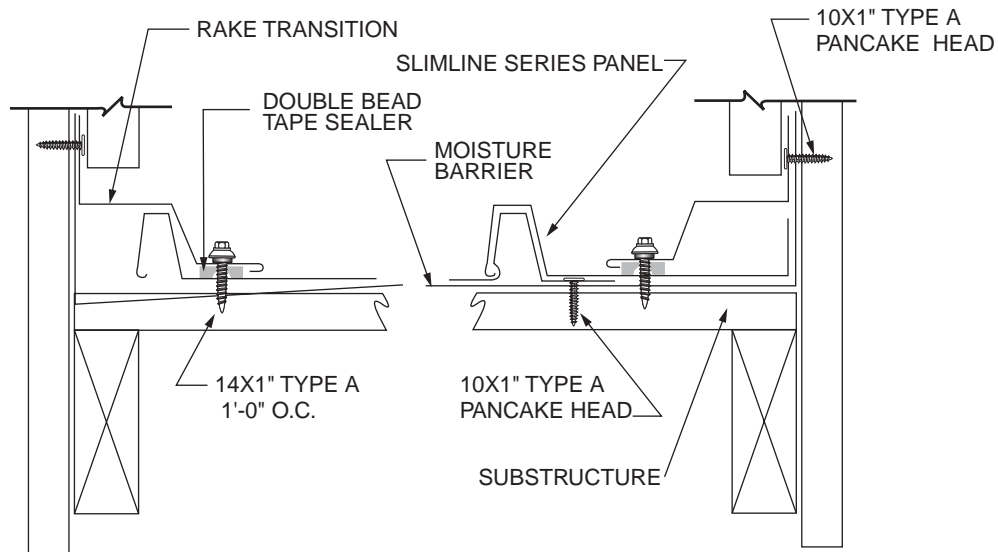
ISOMETRIC VIEW OF BEGINNING ON MODULE

NOTES:

- 1) Install rake trim to roof with 14X1" Type A 1' - 0" O.C. Fasteners must go through double bead tape sealer.
- 2) When finishing off module, field bend a 1" leg up on panel before installing rake trim.

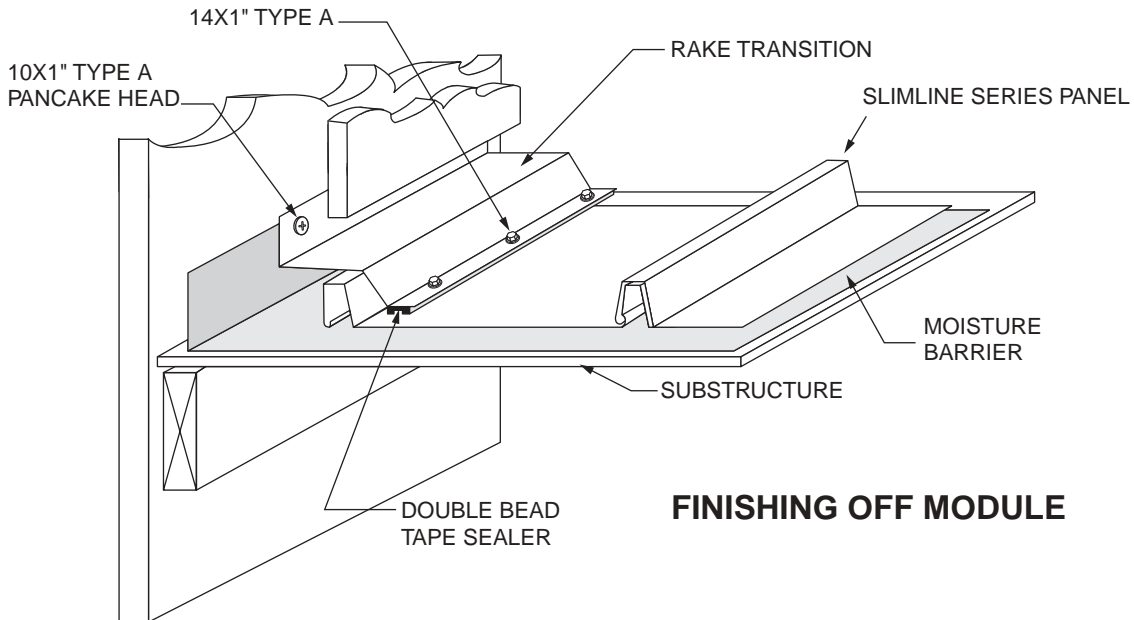
SLIMLINE SERIES® PRODUCT INFORMATION

TYPICAL DETAILS - RAKE TRANSITION



BEGINNING ON MODULE

FINISHING OFF MODULE



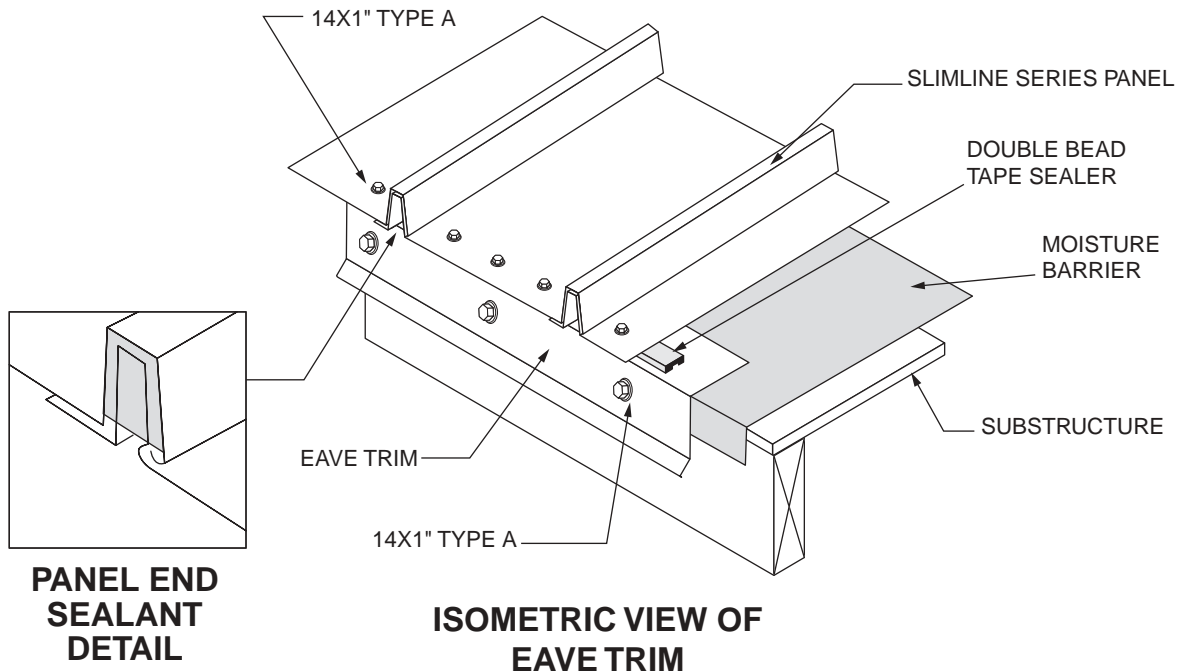
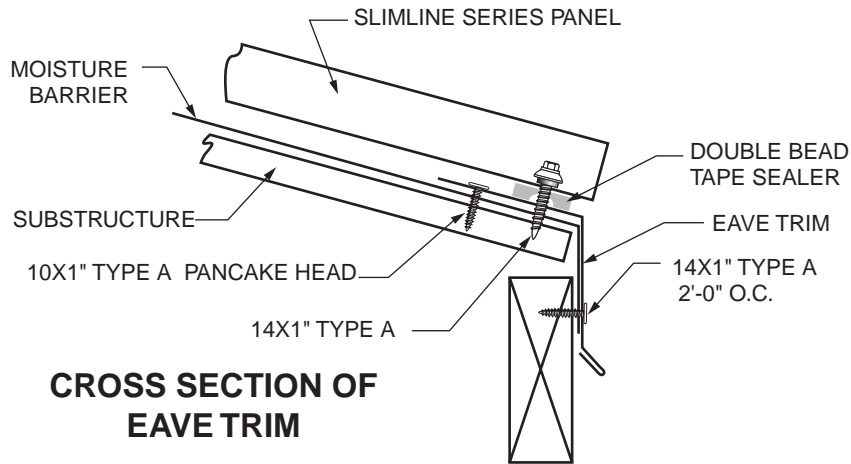
FINISHING OFF MODULE

NOTES:

- 1) If roof finishes on module, proceed to Step 2. If roof finishes off module, field bend a 1" leg up on panel before proceeding to Step 2.
- 2) Install rake transition to roof panels with 14X1" Type A 1' - 0" O.C. Fasteners must go through double bead tape sealer. Top leg of flash may be fastened to substrate as needed to hold in place before siding is installed.

SLIMLINE SERIES® PRODUCT INFORMATION

TYPICAL DETAILS EAVE TRIM

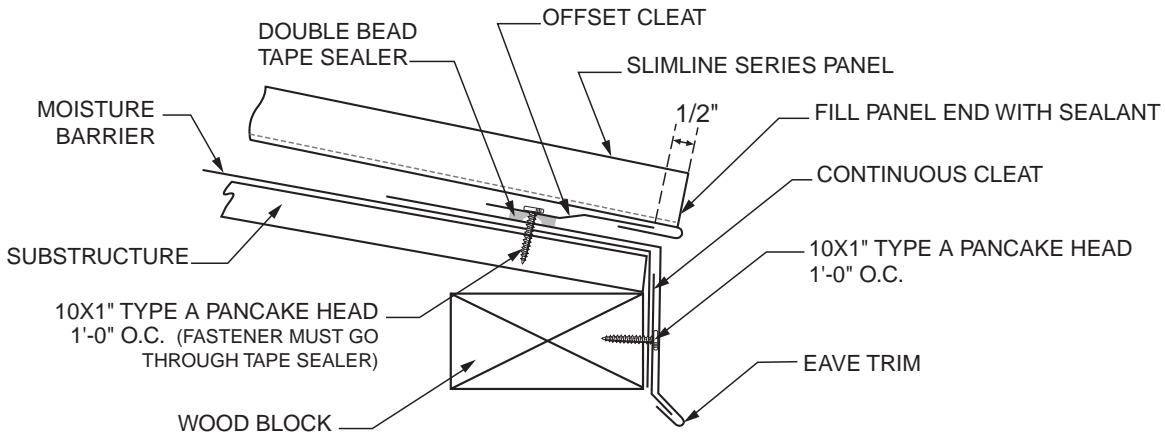


NOTES:

- 1) Attach eave trim to roof deck with two pancake head fasteners per 10' section.
- 2) Install double bead tape sealer along top leg of eave trim.
- 3) Attach panel at eave with four 14X1" Type A fasteners (three fasteners for 12" panel).
- 4) Fill ends of panels with urethane sealant.

SLIMLINE SERIES® PRODUCT INFORMATION

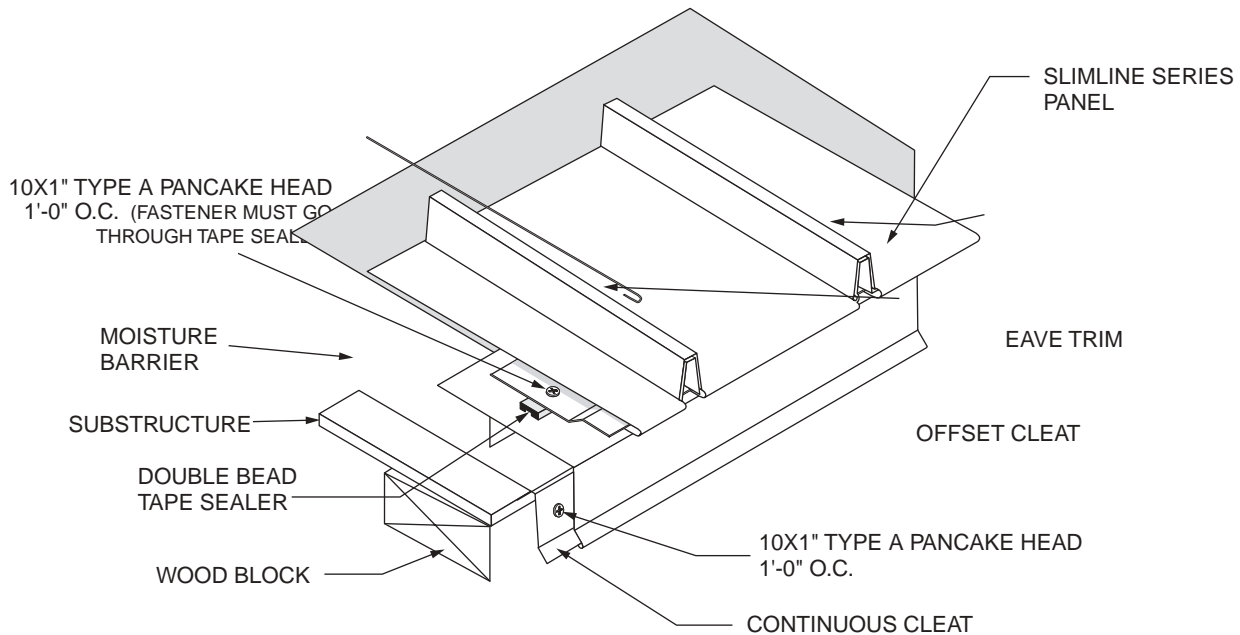
ALTERNATE DETAIL - EAVE WITH OFFSET CLEAT, CONTINUOUS CLEAT



CROSS SECTION OF EAVE TRIM

NOTE:

- 1) Where load conditions permit, install first panel fastener 18" from eave for best appearance. Consult a design professional or engineer to ensure compliance with local load and code requirements.



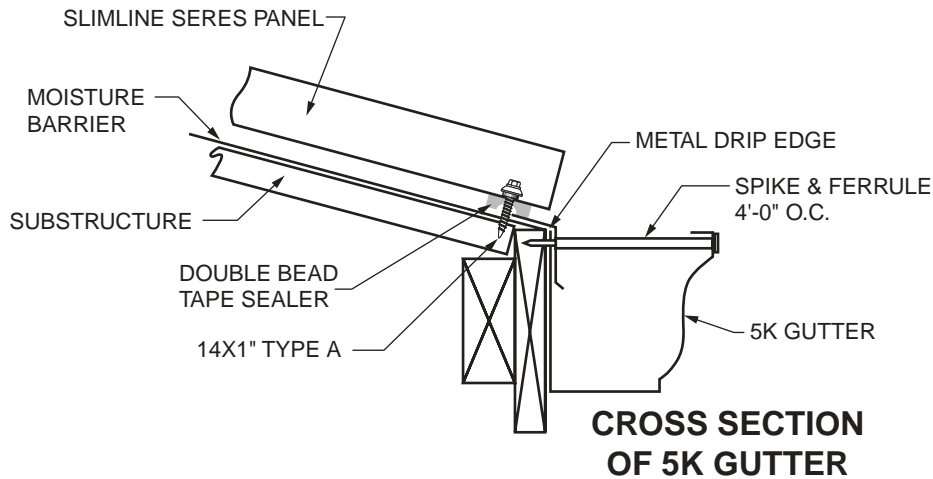
ISOMETRIC VIEW OF ALTERNATE EAVE

NOTES:

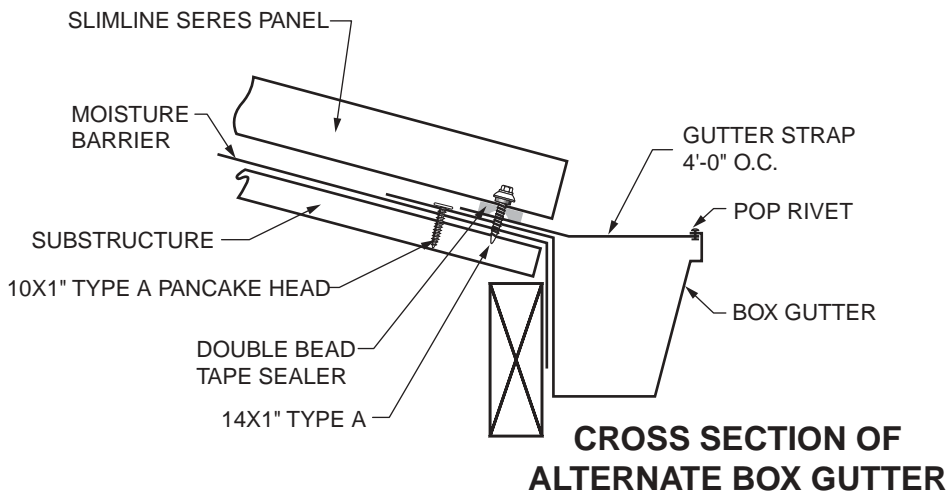
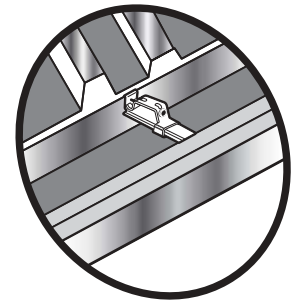
- 1) Attach offset cleat to substructure with 10X1" Type A Pancake Head Fastener at 1' - 0" O.C.
- 2) Add 1 1/2" to panel length for the panel hem.

SLIMLINE SERIES® PRODUCT INFORMATION

TYPICAL DETAILS - GUTTER



5K
HIDDEN HANGER



5K Gutter

NOTES:

- 1) Install metal drip edge along eave of roof before installing roof panels.
- 2) Drill 5/16" hole in front face of gutter 4' - 0" O.C. to receive gutter spikes.
- 3) Slide back leg of gutter behind metal drip edge and drive spike and ferrule assembly through metal drip edge, back leg of gutter and into fascia board.
- 4) Fill ends of panels with urethane sealant.
- 5) In areas of extreme ice or snow build-up, consider eliminating the gutter and using eave trim instead.

Alternate Box Gutter

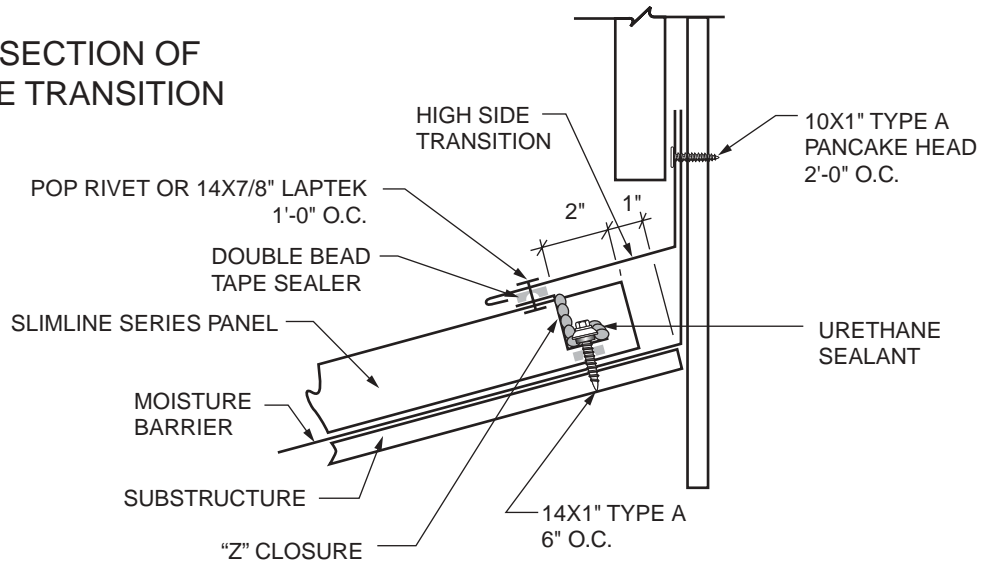
NOTES:

- 1) Pop rivet gutter strap to gutter 4' - 0" O.C. and attach gutter to roof deck with two roofing nails per 10' section.
- 2) Install double bead tape sealer along top leg of gutter.
- 3) Attach panel at eave with four 14X1" Type A fasteners (three fasteners for 12" panel).
- 4) Fill ends of panels with urethane sealant.
- 5) In areas of extreme ice or snow build-up, consider eliminating the gutter and using eave trim instead.

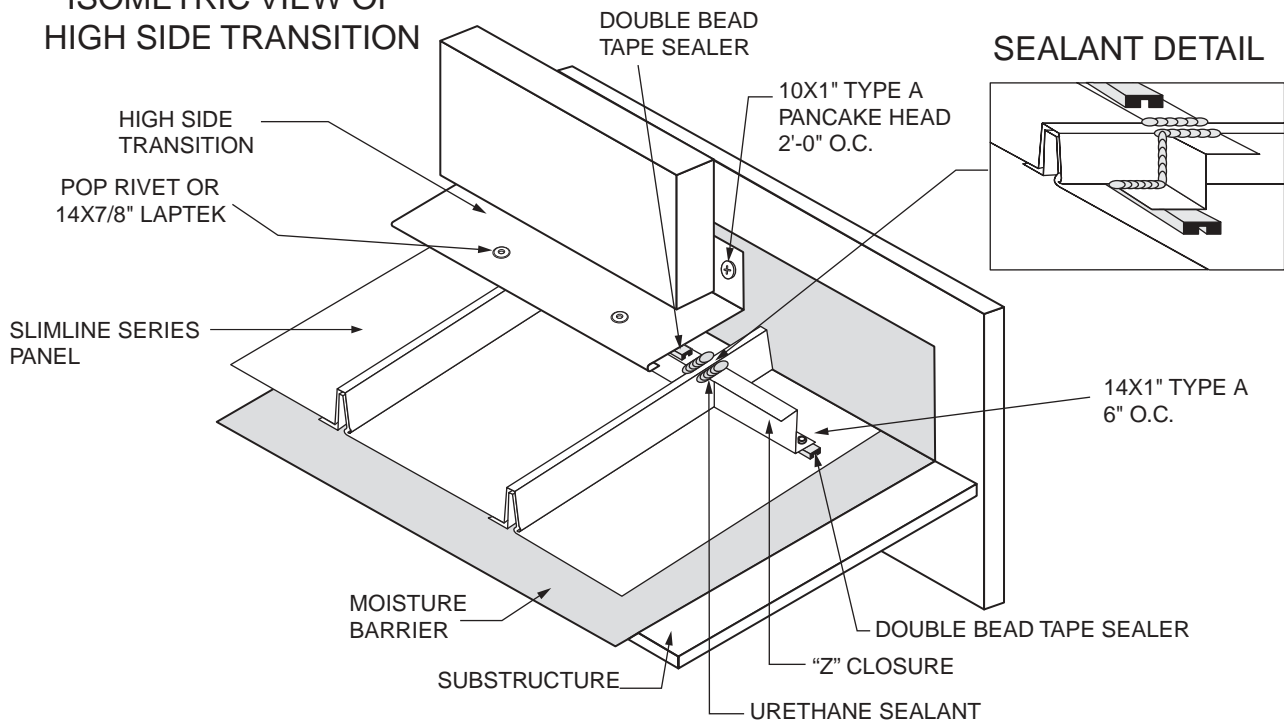
SLIMLINE SERIES® PRODUCT INFORMATION

TYPICAL DETAILS - HIGH SIDE TRANSITION

CROSS SECTION OF HIGH SIDE TRANSITION



ISOMETRIC VIEW OF HIGH SIDE TRANSITION



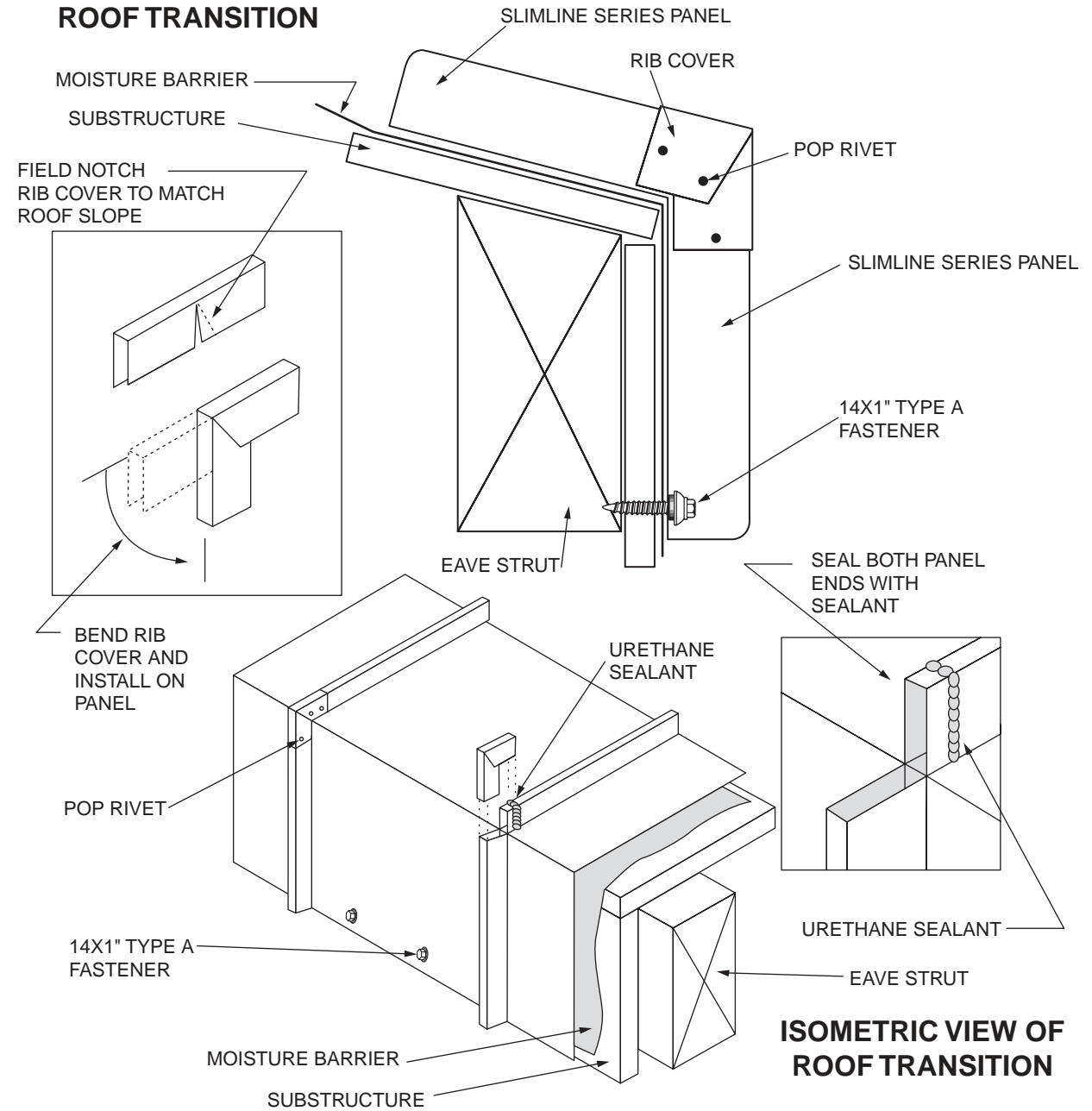
NOTES:

- 1) Field cut "Z" closures to fit panel width.
- 2) Install double bead tape sealer to bottom leg of "Z" closures and attach to panels with four 14X1" Type A fasteners per panel (three fasteners for 12" panel). Vertical leg of "Z" closure should be 3" from top of roof deck.
- 3) Seal ends of "Z" closures with urethane sealant.
- 4) Attach high side transition flash to "Z" closures with pop rivets or 14X7/8" Laptek 1' - 0" O.C. Top leg of flash may be

SLIMLINE SERIES® PRODUCT INFORMATION

TYPICAL DETAILS - ROOF TRANSITION

CROSS SECTION VIEW OF ROOF TRANSITION



NOTES:

- 1) Do not use this detail with the fixed ridge or hip details.
- 2) Field cut legs of panels and bend to required angle.
- 3) Fill both exposed ends of panels with urethane sealant.
- 4) Field notch rib cover to allow it to bend to the proper angle.
- 5) Field apply a bead of sealant over rib before applying rib cover.