

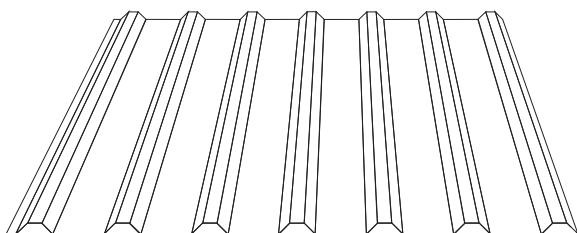


PBU

# PRODUCT INFORMATION

The PBU panel is an exposed fastener system that can be used for both roof and wall applications. PBU can be installed directly over purlins or joists. PBU offers the versatility of being used in both vertical and horizontal applications to give designers a contemporary appearance for their building project. PBU is recommended for 1:12 or greater roof slopes.

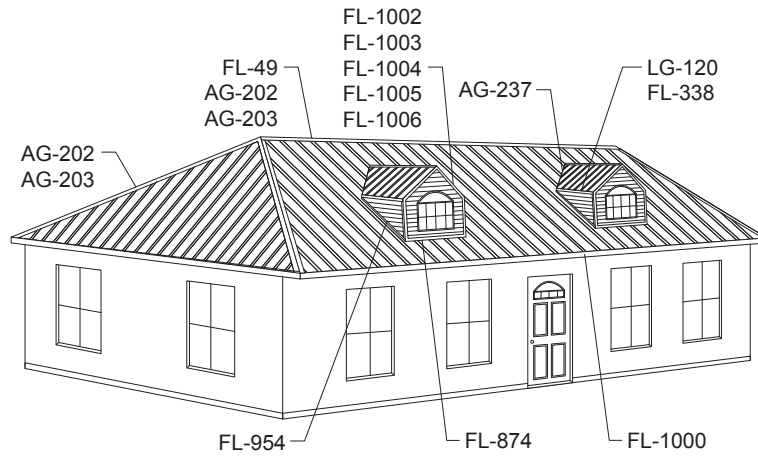
- Coverage Width – 36"
- Rib Spacing – 6" on center
- Rib Height – 3/4"
- Minimum Slope – 1:12
- Panel Attachment – Exposed Fastening System
- Gauge – 26 (standard); 29, 24, 22 (optional)
- Finishes – Smooth (standard); Embossed (optional)
- Coatings – Galvalume Plus®; Sig 200®


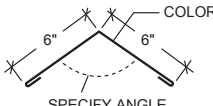
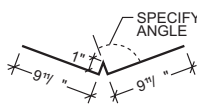
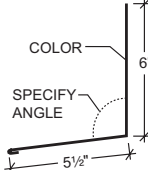
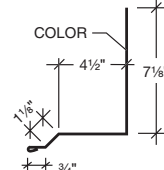
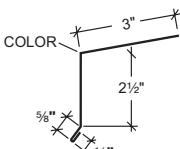
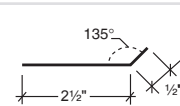
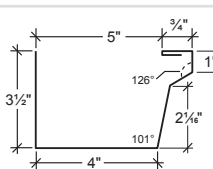
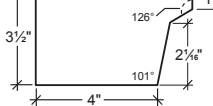
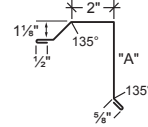


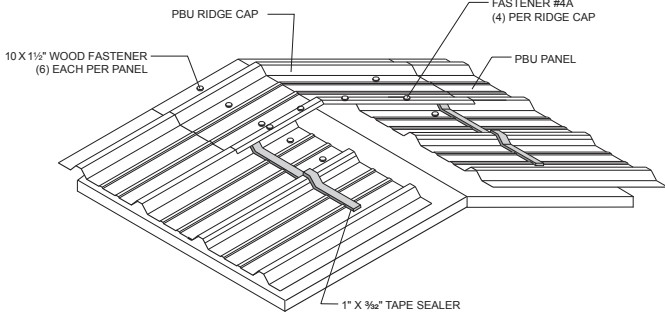
## 26-GAUGE COLORS

	HAWAIIAN BLUE		CHARCOAL GRAY
	CRIMSON RED		COBALT BLUE
	FERN GREEN		RUSTIC RED
	BURNISHED SLATE		LIGHT STONE
	ASH GRAY		POLAR WHITE*
	SADDLE TAN		SOLAR WHITE**
	DESERT SAND		GALVALUME PLUS
	KOKO BROWN		

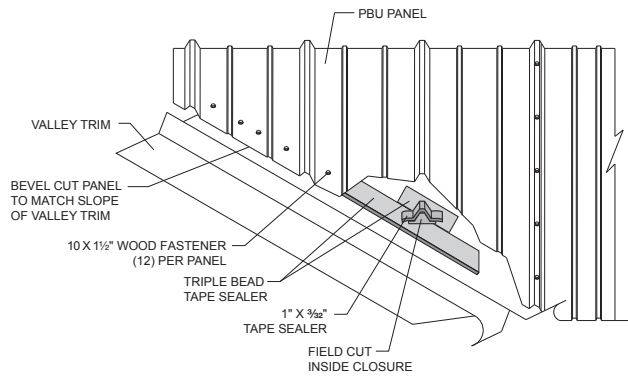
\* Also available in 29-gauge  
 \*\* Minimum quantities and/or extended lead times may be required



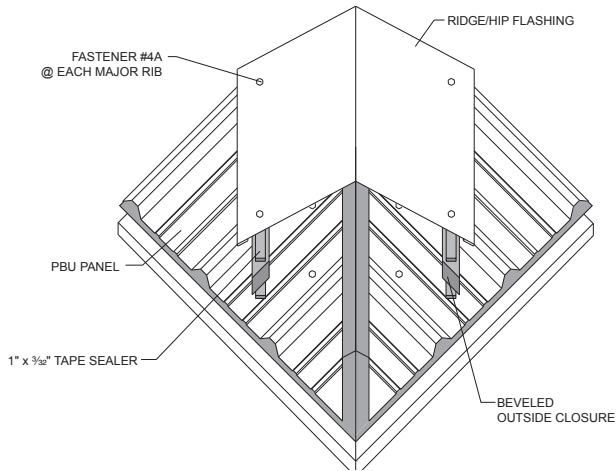
ITEM	PART #	SLOPE	DIM "A"	LENGTH	GIRTH	GAUGE
<b>Die Formed Ridge Cap</b> 	FL-50	1:12 - 5:12	N/A	2'-6"	N/A	26 GA
NOTE: Specify roof slope • Maximum roof slope is 5:12						
<b>Ridge/Hip Flash</b> 	AG-202 AG-203		N/A	10'-2" 20'-2"	13" 13"	26 GA 26 GA
NOTE: Specify roof slope and if using for ridge or hip						
<b>Standard Valley</b> 	AG-237 AG-238		N/A N/A	10'-2" 10'-2"	20 5/8" 20 3/8"	26 GA 26 GA
NOTE: Specify roof slope						
<b>Parapet High Eave Trim</b> 	FL-874 FL-875		N/A N/A	10'-2" 20'-2"	12" 12"	26 GA 26 GA
NOTE: Specify roof slope						
<b>Parapet Rake</b> 	FL-954 FL-855		N/A N/A	10' - 2" 20' - 2"	14" 14"	26 GA 26 GA
<b>Eave Trim</b> 	LG-120		N/A	10'-6"	6 5/8"	29 GA
NOTE: Specify roof slope • Specify open hem if using continuous cleat						
<b>Continuous Cleat</b> 	FL-338		N/A	10'-2"	3"	24 GA
<b>Gutter</b> 	FL-1000		N/A	10'-2"	12 9/16"	24, 26 & 29 GA
<b>Gutter End</b> (right or left) 	FL-1001		N/A	N/A	N/A	24, 26 & 29 GA
<b>Rake</b> 	FL-1002 FL-1003 FL-1004 FL-1005 FL-1006	3-4 : 12 5-6 : 12 7 : 12 8-9 : 12 10 : 12	3 3/16" 3 1/4" 2 15/16" 2 13/16" 2 11/16"	10'-2" 10'-2" 10'-2" 10'-2" 10'-2"	8 11/16" 8 9/16" 8 7/16" 8 5/16" 8 3/16"	26 & 29 GA 26 & 29 GA 26 & 29 GA 26 & 29 GA 26 & 29 GA
NOTE: Specify open hem if using continuous cleat						



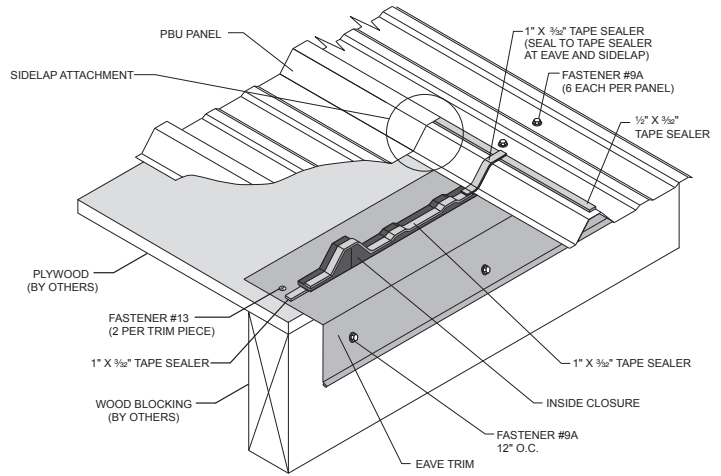
# RIDGE



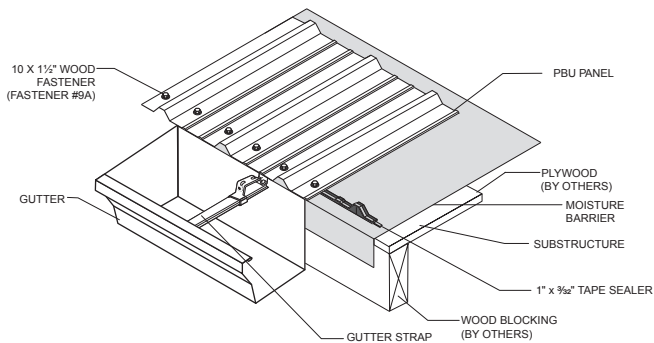
# VALLEY



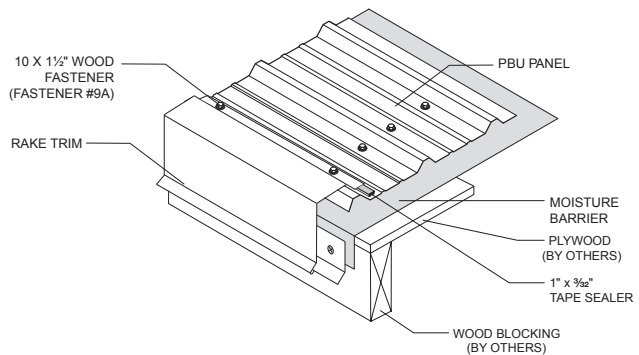
# HIP



# EAVE TRIM



# GUTTER



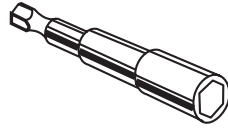
# RAKE

## Touch-Up Paint



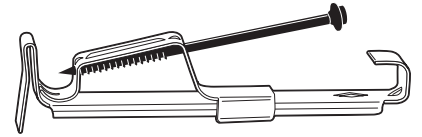
PART #	TYPE	SIZE
HW-304	Signature® 200	2 oz.
HW-305	Signature® 300	2 oz.

## Magnetic Sockets



PART #	SIZE
HW-604	3/8" Hex Drive
HW-605	5/16" Hex Drive
HW-606	1/4" Hex Drive

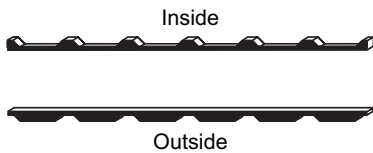
## Gutter Hanger



PART #
HW-339

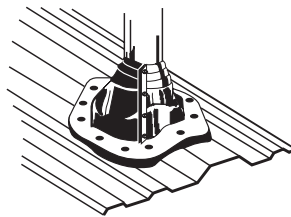
## "PBU" Panel Closure Strips

NOTE: One per panel required



PART #	TYPE	ADHESIVE
HW-459	Inside	No
HW-460	Outside	Yes

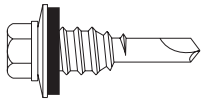
## Rubber Roof Jack



PART #	TEMP RANGE	PIPE SIZE	BASE DIM	WEIGHT EACH
HW-1000	-65°F to +212°F	1/4" - 2"	4 1/2"	.17#
HW-1001	-65°F to +212°F	1/4" - 5"	8"	.50#
HW-1002	-65°F to +212°F	4" - 7"	11"	.95#
HW-1003	-65°F to +212°F	6" - 11"	14"	1.55#
HW-1004	-65°F to +212°F	7" - 13"	17"	2.56#
HIGH TEMPERATURE				
HW-1046	-100°F to +437°F	1/4" - 5"	8"	.50#
HW-1047	-100°F to +437°F	4" - 7"	11"	.95#
HW-1048	-100°F to +437°F	7" - 13"	17"	2.56#
HW-1049	-100°F to +437°F	10" - 18"	25"	3.86#

## Self-Driller Lap-Tek

250 Per Bag



PART #	HEAD SIZE	LENGTH
4A	5/16"	14 x 7/8"

## Long Life Wood Fastener

Panel to Solid Wood



\*Other sizes available. Please inquire.

PART #	HEAD SIZE	LENGTH
9A	5/16"	10 x 1"
9	5/16"	10 x 1 1/2"

## Pop Rivet

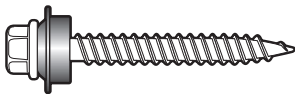
250 Per Bag | Stainless Steel



PART #	DIAMETER	GRIP RANGE
14	1/8"	1/8" x 3/16"

## Wood Fastener

Panel to Solid Wood

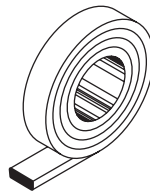


\*Other sizes available. Please inquire.

PART #	HEAD SIZE	LENGTH
8A	1/4"	10 x 1"
8	1/4"	10 x 1 1/2"
8B	1/4"	10 x 2"
8C	1/4"	10 x 2 1/2"

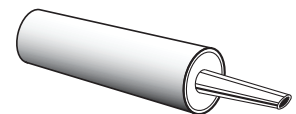
## Tape Sealer

Flat



PART #	GENERAL	LENGTH
HW-502	2 1/2" x 3/16"	20'-0"
HW-507	1/2" x 3/32"	50'-0"
HW-508	1" x 3/32"	40'-0"

## Tube Sealant



PART #	TYPE	COLOR
HW-548	Acrylic	White
HW-550	Acrylic	Gray
HW-540	Urethane	White
HW-541	Urethane	Gray
HW-542	Urethane	Bronze
HW-544	Urethane	Almond

NOTE: 25' per tube at 1/4" bead



Call or visit us online or in the store nearest you to meet with a project expert to learn more about our product offerings.

metaldepots.com

© 2022 Metal Depots, part of Cornerstone Building Brands, Inc. ALL RIGHTS RESERVED. 0905209991140/RevA/MS/CG/0522

STAY IN TOUCH  
facebook.com/metaldepots 